

# TVW-BB1

## TruVision Wedge Camera back box (used with S6 series of wedge cameras)

### Overview

---

TVW- BB1 back box for indoor and outdoor use. The bracket can be used with the TruVision wedge cameras listed below.

### Used for the following cameras:

---

TruVision S6 wedge range of IP cameras:

TVW-5601  
TVW-5602  
TVW-5603  
TVW-5604  
TVW-5605



### Details

---

- Suitable for TruVision S6 Wedge S6 wedge cameras
- Back box
- Aluminum alloy

# TVW-BB1

TruVision Wedge Camera back box (used with S6 series of wedge cameras)

## Technical specifications

---

### General

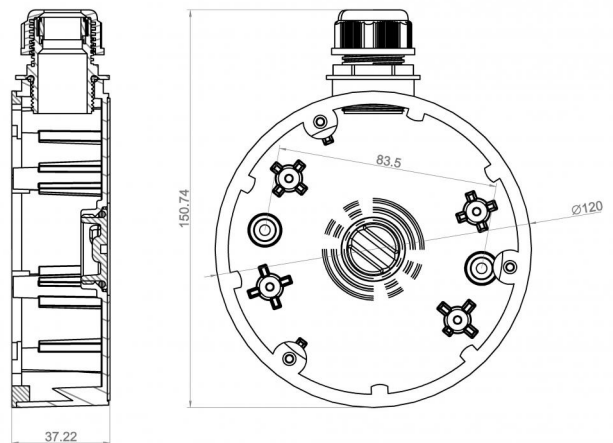
|                       |                       |
|-----------------------|-----------------------|
| Bracket type          | Camera                |
| Camera support type   | TruVision wedge domes |
| Bracket mounting part | Mount connection box  |
| Mount type            | Back box              |
| Cable management      | Yes                   |

### Physical

|                     |                                 |
|---------------------|---------------------------------|
| Physical dimensions | 120 x 150.74 x 37.22 (Ø 120 mm) |
| Colour              | Grey (Pantone 428c)             |
| Material            | Aluminium                       |

### Standards & regulation

|            |    |
|------------|----|
| Compliance | CE |
|------------|----|



As a company of innovation, UTC Fire & Security reserves the right to change product specifications without notice. For the latest product specifications, visit UTC Fire & Security online or contact your sales representative.

Last updated on 5 December 2019 - 14:49