



# TVW-BB1-W

TruVision wedge camera back box used with S6 series of wedge cameras, white

## Overview

---

TVW- BB1 back box for indoor and outdoor use. The bracket can be used with the TruVision wedge cameras listed below.

## Used for the following cameras

---

TruVision S6 wedge range of IP cameras:

- TVW-5601
- TVW-5602
- TVW-5603
- TVW-5604
- TVW-5605



## Details

---

- Suitable for TruVision S6 wedge S6 wedge cameras
- Back box
- Aluminum alloy

# TVW-BB1-W

TruVision wedge camera back box used with S6 series of wedge cameras, white

## Technical specifications

---

### General

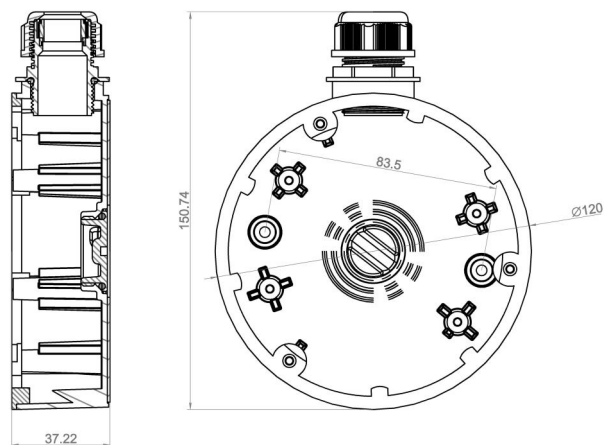
Bracket type	Camera
Camera support type	TruVision wedge domes
Bracket mounting part	Mount connection box
Mount type	Back box
Cable management	Yes

### Physical

Physical dimensions	120 x 150.74 x 37.22 (Ø 120 mm)
Net weight	240 g
Colour	White
Material	Aluminium

### Regulatory

Compliancy	CE
------------	----



As a company of innovation, Carrier Fire & Security reserves the right to change product specifications without notice. For the latest product specifications, visit [firesecurityproducts.com](http://firesecurityproducts.com) online or contact your sales representative.

Last updated on 6 December 2022 - 17:55