

# TVT-5503

## TruVision IP Turret Camera, H.265/H.264, 4MP

### Overview

---

The TruVision Series 5 line of IP turret form factor cameras leverages the latest H.265 video compression technology to bring state-of-the-art, high-definition pictures to the mass video surveillance market. With camera resolutions up to 8 megapixel, these IP cameras represent a flexible video surveillance device to meet any need. Equipped with advanced technology and signal processing capability, they effectively capture video under challenging conditions.

---

TruVision cameras utilize H.264 and/or H.265 compression technology with triple-streaming capability, making it easy to manage the camera's bandwidth usage. The cameras feature Low Light technology, which provides a clear image in low lighting conditions with a minimum of "grainy" interference. Recording to a local MicroSD card (not included) protects data in the event of network disruptions.

---

These cameras go above and beyond standard motion detection with enhanced alarm capabilities, including line crossing detection, intrusion zone detection, de-focus and face detection features. Each is user-configurable to best suit the installation environment. A Region of Interest function ensures specific portions of an image are given priority during instances of high network traffic or network degradation.

---

Location-specific functions include a Hallway View Mode to provide a portrait view of a hallway or corridor, a De-Fog Mode to help resolve images through fog or rain and Electronic Image Stabilization for installations subject to physical vibration or shaking.



### Details

---

- Maximum Resolution: 2688 × 1520
- Super low light sensitivity
- Fixed lens 2.8 mm
- Up to 30m IR illumination
- H.265 and/or H.264 compression with triple-streaming functionality
- Edge recording up to 128GB SDHC card
- Embedded video analytics

# TVT-5503

## TruVision IP Turret Camera, H.265/H.264, 4MP

### Technical specifications

#### General

Technology	IP
Video standard	NTSC, PAL
Image settings	Hallway View, Mirror, ROI (Region Of Interest)
Software compatibility	OnGuard, Prism, TruVision Navigator, TVRmobile, Web Browser

#### Camera

Sensor size	1/2.5"
Max. resolution	4 MP
Sensor scan	Progressive
Sensor type	CMOS
Shutter time	1/3s - 1/100,000s

#### Lighting performance

WDR type	True WDR
WDR	120 dB
Digital noise reduction	3D DNR
Day/night	True Day/Night
Motorized IR cut filter	Yes
Color sensitivity	Color: 0.008 lux @(F1.2, AGC ON), 0.014 lux @(F1.6, AGC ON)
B/W sensitivity	0 lux with IR on
Infrared (IR)	Yes
IR range	Up to 30 m

#### Encoding

Video streams	3
Main stream compression	H.264, H.265
Sub stream compression	H.264, H.265, MJPEG
Third stream compression	H.264, H.265
Video bit rate	32kbps to 16Mbps
Main stream resolutions	1280 x 720 (XVGA), 1920 x 1080 (1080p), 2304 x 1296, 2688 x 1520
Sub stream resolutions	1024 x 768 (XGA), 320 x 240 (QVGA), 640 x 360 (nHD), 640 x 480 (VGA)
Third stream resolutions	1280 x 720 (XVGA), 320 x 240 (QVGA), 640 x 360 (nHD)
Max. resolution @ fps	2688 x 1520 @ 25/30 fps (PAL/NTSC)

#### Lens

Lens type	Fixed
Focal length	2.8 mm, horizontal FoV: 109°, vertical FoV: 60°, diagonal FoV: 131°
f-stop	f1.6
Auto iris	No

#### Network

Network interface	RJ-45 10/100 Mbps self-adaptive Ethernet interface
Integration	CGI, ONVIF Profile G, ONVIF Profile S, ONVIF Profile T, PSIA
Supported network protocols	802.1x, Bonjour, DDNS, DHCP, DNS, ezDDNS, FTP, HTTP, HTTPS, IGMP, IPv4, IPv6, NTP, PPPoE, QoS, RTCP, RTP, RTSP, SMTP, SNMP, TCP/IP, UDP, UPnP

#### Storage

Local storage support	Yes
Local storage type	Built-in Micro SD/SDHC/SDXC card slot
Max. SD card capacity	128GB

#### Video intelligence

Alarm trigger	HDD error, HDD full, Invalid login, IP address conflict, Motion detection, Network disconnected, Privacy Masking, Video tampering
Video analytics	Advanced motion detection, Face detection, Intrusion detection, Line crossing detection, Object removal detection, Scene change detection, Unattended baggage detection

#### Electrical

Operating voltage	12 VDC $\pm$ 25%, $\Phi$ 5.5 mm coaxial plug power PoE(802.3af, class 3)
Power consumption	12 VDC, 0.5 A, max. 6 W PoE (802.3af, 36V to 57V), 0.2 A to 0.1 A, max. 7.5 W

#### Physical

Physical dimensions	$\Phi$ 127.3 x 95.9 mm
Net weight	620 g
Colour	Grey
Form Factor	Turret

#### Environmental

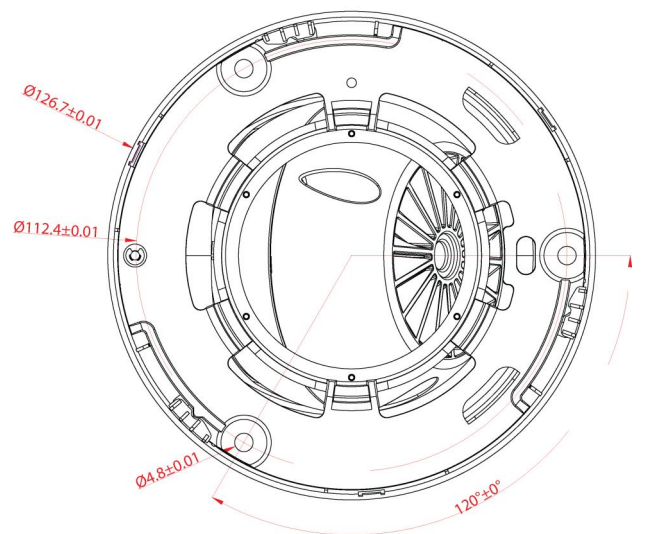
Environment	Outdoor
Operating temperature	-30 to +60°C -22 to +140°F
Storage temperature	-30 to +60°C -22 to +140°F
Relative humidity	<95% (non-condensing)
IP rating	IP67

#### Regulatory

Compliance	CE, FCC, HALT, REACH, RoHS, UL, WEEE
------------	--------------------------------------

# TVT-5503

TruVision IP Turret Camera, H.265/H.264, 4MP



As a company of innovation, Carrier Fire & Security reserves the right to change product specifications without notice. For the latest product specifications, visit [firesecurityproducts.com](http://firesecurityproducts.com) online or contact your sales representative.

Last updated on 12 November 2021 - 14:33