

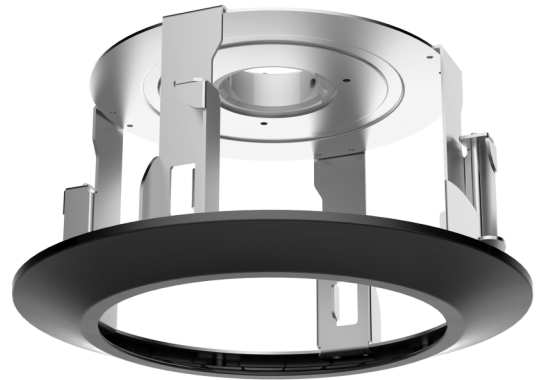


TVP-FM-01

TruVision flush mount bracket for M Series IP PTZ camera TVGP-M01-0402-PTZ-G

General

The TruVision flush mount bracket TVP-FM-01 can be used in combination with IP PTZ camera TVGP-M01-0402-PTZ-G.



Details

- Steel and plastic with surface spray treatment
- In-ceiling mount

TVP-FM-01

TruVision flush mount bracket for M Series IP PTZ camera TVGP-M01-0402-PTZ-G

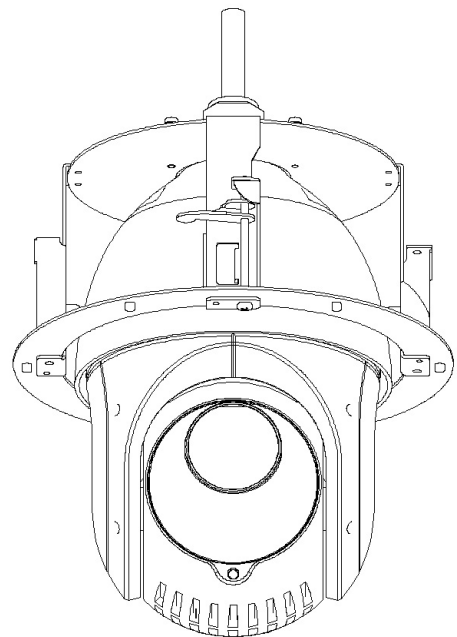
Technical specifications

General

Bracket type	Camera
Camera support type	PTZ camera
Bracket mounting part	Mounting bracket
Mount type	Recessed mount

Physical

Physical dimensions	Ø 233.1 × 138 mm Ø 9.18 × 5.43 in.
Net weight	850 g 1.87 lb.
Colour	Black



As a company of innovation, Carrier Fire & Security reserves the right to change product specifications without notice. For the latest product specifications, visit firesecurityproducts.com online or contact your sales representative.

Last updated on 22 June 2022 - 9:49