

# TVP-6102

**TruVision HD-TVI Analog PTZ, 1080P, 32X, WDR, Surface or Flush mount, HD-TVI or 960H Output, TVI/RS485/RS422 Control, 24VAC, IP54**

## Overview

---

The TruVision HD-TVI Analog PTZ Cameras by Interlogix® utilize the latest PTZ technology to provide powerful, cost-effective surveillance for retail, commercial and small business applications. With 1080p resolution and a 32X optical zoom, these cameras deliver crisp, clear images, even at a distance.

With advanced features, such as True Day/Night surveillance and Wide Dynamic Range (WDR) imaging, these cameras provide optimal image quality in a variety of indoor or outdoor environments. HD-TVI Analog PTZ cameras are easy to change, with wall, pendant (IR or non IR), surface or flush mounting options to meet various application needs.

These cameras are also fully programmable, with up to 256 presets and 10 preset tours for end-user customization and flexibility. A 8-zone privacy-mask feature allows these cameras to block out sensitive areas, such as fitting rooms, or restricted areas. Motion detection, privacy masking and electronic image stabilization add substantial value and enhanced security to any surveillance system.



## Details

---

- 1080p resolution
- 32x Zoom
- 1/2.8" Progressive Scan CMOS
- Dual output HD-TVI or 960H BNC
- HD-TVI technology for transmitting full HD-quality video over existing coax cable
- 8 Privacy Masks
- 256 preset positions, 10 preset tours
- 360° Endless Rotation
- 250°/s Pan Preset Speed and 150°/s Tilt Preset Speed
- Auto-Flip image
- EIS (Electronic Image Stabilization )
- Offers one combined flush/ceiling mount

# TVP-6102

Truvision HD-TVI Analog PTZ, 1080P, 32X, WDR, Surface or Flush mount, HD-TVI or 960H Output, TVI/RS485/RS422 Control, 24VAC, IP54

## Technical specifications

### Camera

Sensor size	1/2.8"
Max. resolution	1080p
Sensor scan	Progressive
Sensor type	CMOS
Total Pixels (H x V)	1080p
Effective pixels (H x V)	1080p
Digital S/N ratio	52dB

### Lighting performance

WDR type	True WDR
Day/night	True Day/Night
Motorized IR cut filter	Yes
Color sensitivity	0.005 lux @ f1.2 (AGC On)
B/W sensitivity	0.001 lux @ f1.2 (AGC On)
Infrared (IR)	No

### Lens

Lens type	Varifocal motorized
Focal length	4.8 to 153 mm
f-stop	1.2 to 4.4
Auto iris	Yes
Auto focus	Yes
Motorized zoom	Yes

### Pan/tilt/zoom

Pan	Pan Manual Speed: 0.1° to 250°/s Pan Preset Speed: 250°/s
Tilt	Tilt Manual Speed: 0.1° to 150°/s Tilt Preset Speed: 150°/s
Endless pan	360°endless
Auto flip	Yes
Optical zoom	32X
Preset positions	256
Preset tours	10
Shadow tours	4
Supported PTZ protocols	AD_CODE, BOSCH_CODE, Interlogix RS-485, Pelco-D, Pelco-P, TruVision RS-422 ASCII, TruVision RS-422 Digiplex

### Storage

Local storage support	No
-----------------------	----

### Video intelligence

Intelligent tracking	No
----------------------	----

### General

Technology	HD-TVI analog
Video standard	NTSC, PAL
Privacy masking	24
Video output	BNC Composite, HD-TVI

### Electrical

Power supply type	VAC
Power supply value	24 VAC
Power consumption	18 W
Current consumption	0.75 A

### Physical

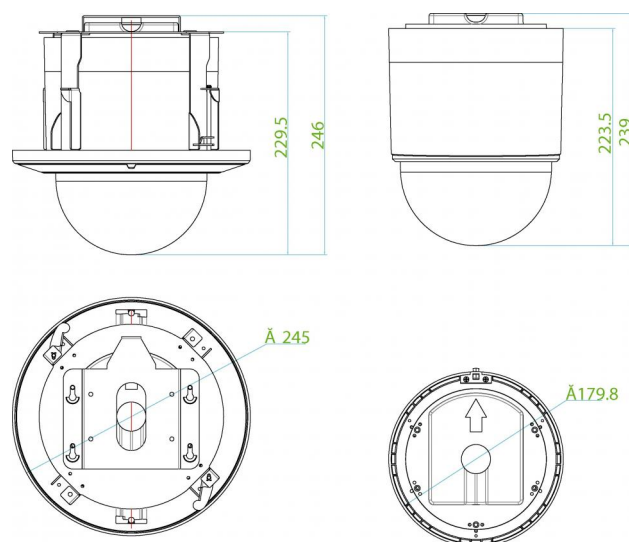
Physical dimensions	Flush: 246 x 245 mm Ceiling: 180 x 239 mm
Net weight	3 kg
Colour	Grey
Form Factor	PTZ
Mount	Flush mount

### Environmental

Vandal proof	Yes
Operating temperature	-10 to +50°C 14 to +122°F
Environment	Indoor
IP rating	54

### Regulatory

Compliance	CE, FCC, HALT, REACH, RoHS, UL, WEEE
------------	--------------------------------------



Unit: mm

As a company of innovation, UTC Fire & Security reserves the right to change product specifications without notice. For the latest product specifications, visit UTC Fire & Security online or contact your sales representative.

