

TVMI-WM

TruVision Multi-imager camera Wall Mount

Overview

The TruVision TVMI-WM Wall Mount bracket allows multi-imager camera TVS-5101 to be installed on a wall. The cable harness of the camera can be routed through the wall bracket.



Details

- Compatible with TVS-5101 TruVision multi-imager camera
- Aluminium alloy material with surface spray treatment
- Hook for connecting cup base safety lanyard

TVMI-WM

TruVision Multi-imager camera Wall Mount

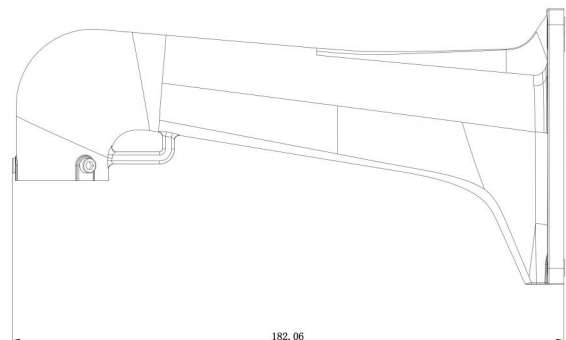
Technical specifications

General

Bracket type	Camera
Camera support type	TruVision 360 degrees cameras
Bracket mounting part	Mounting bracket
Mount type	Wall mount
Cable management	Yes

Physical

Physical dimensions	364.1 x 182 mm 14.3 x 7.2 in.
Net weight	1400 g 3.09 lb.
Colour	Grey (Pantone 428c)
Material	Aluminium



As a company of innovation, UTC Fire & Security reserves the right to change product specifications without notice. For the latest product specifications, visit UTC Fire & Security online or contact your sales representative.

Last updated on 26 August 2020 - 9:47

