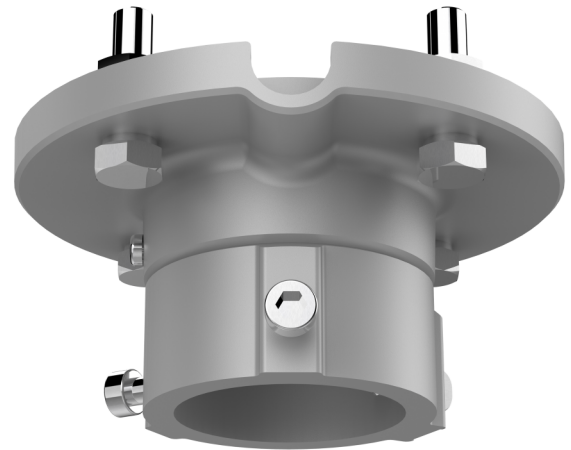


TVMI-PM

TruVision Multi-imager Pendant Mount bracket, 57 mm / 2.24"

Overview

The TruVision TVMI-PM Pendant Mount bracket allows multi-imager camera TVS-5101 to be installed on a ceiling. Additional extension elements are available to increase distance between camera and ceiling.



Details

- Compatible with TVS-5101 TruVision multi-imager camera
- Aluminium alloy material with surface spray treatment

TVMI-PM

TruVision Multi-imager Pendant Mount bracket, 57 mm / 2.24"

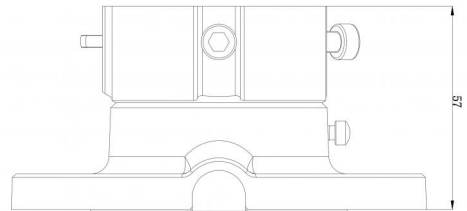
Technical specifications

General

Bracket type	Camera
Camera support type	TruVision 360 degrees cameras
Bracket mounting part	Mounting bracket
Mount type	Pendant mount
Cable management	Yes

Physical

Physical dimensions	116.5 x 57 mm 4.59 x 2.24 in.
Net weight	380 g 0.84 lb.
Colour	Grey (Pantone 428c)
Material	Aluminium



As a company of innovation, UTC Fire & Security reserves the right to change product specifications without notice. For the latest product specifications, visit UTC Fire & Security online or contact your sales representative.

Last updated on 25 August 2020 - 12:10

