

# TVGP-P01-0402-DOM-G

**TruVision™ 4MP, Extreme Low Light, IP Dome Camera, 8-32 mm Lens, grey**

## Overview

---

The TruVision P Series IP dome cameras have a rich set of features which make them ideal for demanding security, surveillance, and monitoring applications such as commercial, retail and large projects. Available in 4 and 8MP 4K resolutions delivering high-quality images thanks to their extreme low light sensitivity which brings clear visibility even in the dark.

The cameras support up to 4 configurable video streams which allows users to optimize the cameras remote live view capabilities while controlling the bandwidth usage. The motorized varifocal lens with auto-iris technology allows users to remotely adjust the zoom level and focus to get crisp images anytime anywhere. In addition to the compatibility with other TruVision products and 3rd party VMS software, the cameras also support NAS recording or local MicroSD card recording to protect data in the event of network disruptions.

The cameras go above and beyond standard motion detection with enhanced alarm capabilities, including cross line detection, intrusion detection, region entrance, region exit and face capture features. With its smart person/vehicle filter feature the camera can ignore irrelevant motion or VCA events which will automatically lead to less storage consumption and faster retrieval of relevant video events.



## Details

---

- Maximum resolution: 2688 × 1520
- H.265(+), H.264(+) and MJPEG compression
- 4 independent configurable video streams
- Motorized zoom lens 8 to 32 mm with auto-focus
- Up to 50 m IR illumination
- P-iris lens
- ONVIF Profiles S, G and T
- Rich video intelligence (VCA)
- Up to 140 dB Wide Dynamic Range
- Edge recording up to 256 GB with optional SD card

# TVGP-P01-0402-DOM-G

## TruVision™ 4MP, Extreme Low Light, IP Dome Camera, 8-32 mm Lens, grey

### Technical specifications

#### General

Technology	IP
Video standard	NTSC, PAL
Image settings	De-Fog, Hallway View, Mirror, ROI (Region Of Interest)
Privacy masking	Yes
Software compatibility	Milestone XProtect, OnGuard, TruVision Navigator, TVRmobile, Web Browser

#### Camera

Sensor size	1/1.8"
Max. resolution	4 MP
Sensor scan	Progressive
Sensor type	CMOS
Shutter time	1/3 s to 1/100,000 s

#### Lighting performance

WDR type	True WDR
WDR	140 dB
Digital noise reduction	3D DNR
Day/night	True Day/Night
Motorized IR cut filter	Yes
Color sensitivity	Color: 0.0014 Lux @ (F1.4, AGC ON), B/W: 0 Lux with IR
Infrared (IR)	Yes
IR range	Up to 50 m
IR wavelength	850 nm

#### Encoding

Video streams	4
Main stream compression	H.264, H.264+, H.265, H.265+
Sub stream compression	H.264, H.265, MJPEG
Third stream compression	H.264, H.265
Video bit rate	32 to 8 Mbps
Main stream resolutions	1280 x 720 (XVGA), 1920 x 1080 (1080p), 2688 x 1520
Sub stream resolutions	1280 x 720 (XVGA), 640 x 360 (nHD), 640 x 480 (VGA)
Third stream resolutions	1280 x 720 (XVGA), 1920 x 1080 (1080p), 640 x 360 (nHD), 640 x 480 (VGA)
4th stream compression	H.265, H.264, MJPEG
4th stream resolutions	1280 x 720 (XVGA), 640 x 480 (VGA), 640 x 360 (nHD)
Max. resolution @ fps	2688 x 1520 @ 25/30 fps

#### Lens

Lens type	Varifocal motorized
Focal length	8 to 32 mm: horizontal FoV 42.5 to 15.2°, vertical FoV 23.4 to 8.7°, diagonal FoV 49.7 to 17.3°
Auto focus	Yes
Motorized zoom	Yes
Auto-iris	P-iris

#### DORI

Detection	150.3 to 400 m
Observation	59.7 to 158.7 m
Recognition	30.1 to 80 m
Identification	15 to 40 m

#### Network

Network interface	RJ-45 10/100 Mbps self-adaptive Ethernet interface
Integration	CGI, ISAPI, ONVIF Profile G, ONVIF Profile S, ONVIF Profile T
Supported network protocols	802.1x, Bonjour, DDNS, DHCP, DNS, FTP, HTTP, HTTPS, ICMP, IGMP, IPv4, IPv6, NTP, PPPoE, QoS, RTCP, RTP, RTSP, SMTP, SNMP, TCP/IP, UPnP

#### Audio

Audio compression	G.711alaw, G.711ulaw, G.722.1, G.726, MP2L2, MP3, PCM
Audio in	1 input (line in), terminal block, max. input amplitude: 3.3 Vpp, input impedance: 4.7 K $\Omega$
Audio out	1 output (line out), terminal block, max. output amplitude: 3.3 Vpp, output impedance: 100 $\Omega$

#### Alarm I/O

Alarm inputs	2
Alarm outputs	2 outputs (24 VAC/VDC, 1A max)

#### Storage

Local storage support	Yes
Local storage type	Built-in Micro SD/SDHC/SDXC card slot
Max. SD card capacity	256 GB

#### Video intelligence

Alarm trigger	HDD error, HDD full, Invalid login, IP address conflict, Network disconnected, Video tampering
ROI	5 fixed regions for main stream and sub-stream
Smart event	Advanced motion detection, Audio exception detection, Defocus, Face capture, Intrusion detection, Line crossing detection, Object left behind, People counting, People management, Region entrance detection, Region exiting detection, Scene change detection, Unattended baggage detection

#### Electrical

Operating voltage	12 VDC $\pm$ 25%, 0.9 A, 24 VAC $\pm$ 20%, 0.75 A, two-core terminal block, PoE: 802.3af, Class 3, 36 V to 57 V, 0.36 A to 0.23 A
Power consumption	12 VDC, 0.9 A, max. 10.8 W, 24 VAC, 0.75 A, max. 10.8 W, PoE: 802.3at, max. 12.9 W

# TVGP-P01-0402-DOM-G

TruVision™ 4MP, Extreme Low Light, IP Dome Camera, 8-32 mm Lens, grey

## Physical

Physical dimensions	Ø162 × 141.8 mm Ø6.4 × 5.6 in.
Net weight	1420 g 3.1 lb.
Shipping weight	2058 g 4.5 lb.
Colour	Grey
Form Factor	Dome

## Environmental

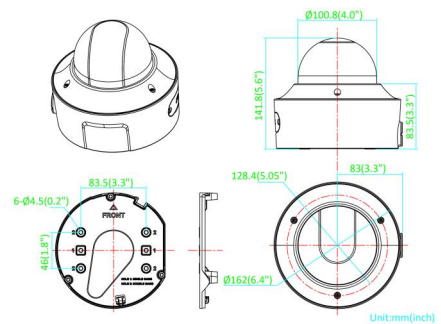
Vandal proof	Yes
Impact rating	IK10
Environment	Outdoor
Operating temperature	-40 to +60°C -40 to +140°F
Relative humidity	<95% noncondensing
IP rating	IP67

## Regulatory

Compliance	CE, FCC, REACH, RoHS, UL, WEEE
------------	--------------------------------

## Compatible Accessories

TVD-CB9	TruVision Cup Base for P series varifocal dome camera
TVD-SNB	TruVision Dome Swan Neck bracket for TVD-CB9
TVD-SNB-BB	TruVision back box to be used with TVD-SNB
TVD-M-PMA-SS	TruVision Pole Mount Adaptor (Stainless Steel) to be used with TVD-SNB
TVD-CBW	TruVision wall mount bracket compatible with cup bases TVD-CB9
TVD-PPB	TruVision Dome Pendant Ceiling mount bracket for TVD-CB9
TVD-BS-8CV	TruVision transparent spare bubble for P series dome
TVD-BS-8SV	TruVision smoked spare bubble for P series dome



As a company of innovation, Carrier Fire & Security reserves the right to change product specifications without notice. For the latest product specifications, visit [firesecurityproducts.com](http://firesecurityproducts.com) online or contact your sales representative.

Last updated on 5 December 2023 - 17:54