



# TVGP-M01-0403-PTZ-G

TruVision 4MP IP PTZ camera, H.265+, 200m IR, 32x zoom, Hi-PoE/24VAC, wall mount incl.

## Overview

---

TVGP-M01-0403-PTZ-G is a Pan Tilt Zoom IP camera for use in both indoor and outdoor installations. The camera's 4 megapixel resolution combined with excellent low light capabilities, 32x optical zoom and 200m IR illumination ensures you capture the required level of detail at all times.

The camera is fully programmable, with up to 300 presets along with 8 patrol and preset tours.

The 8-zone privacy mask feature allows these cameras to block out sensitive areas. In addition, the variety of intelligence features and analytics adds substantial value and enhanced performance to any video system.

## Video intelligence

---

The camera comes with a various built-in intelligent video features like line crossing detection, intrusion zone detection, region entry/exit detection and more. Some of these intelligence features can be refined further by adding person/vehicle classification to filter out unwanted events which automatically results in more efficient alarm event and storage management.

## Technology

---

The camera features H.265+ compression to optimize its bandwidth and storage requirements. At the same time, H.264 which is also supported, allows the camera to be connected to legacy installations where needed.

ONVIF, PSIA and CGI command sets ensure that this camera can also be easily connected to virtually any video surveillance system.



## Details

---

- 4MP resolution
- 32x optical zoom, 16x digital zoom
- IR illumination up to 200 m
- Video intelligence with person/vehicle target classification
- Built-in speaker for audio alarms
- Flashing white alarm LED
- H.265+ compression
- Wall mount bracket included

# TVGP-M01-0403-PTZ-G

TruVision 4MP IP PTZ camera, H.265+, 200m IR, 32x zoom, Hi-PoE/24VAC, wall mount incl.

## Technical specifications

### General

|                                 |  |
|---------------------------------|--|
| Technology                      | IP   |
| Video standard                  | NTSC, PAL  |
| OSD                             | Text Overlay   |
| Privacy masking                 | 24 programmable polygon privacy masks, mask color or mosaic configurable |
| Software compatibility          | TruVision Navigator, TVRmobile, Web Browser                              |
| Plugin-free web browser support | Google Chrome, Mozilla Firefox   |

### Camera

|                 |                   |
|-----------------|-------------------|
| Sensor size     | 1/1.8"            |
| Max. resolution | 4 MP              |
| Sensor scan     | Progressive       |
| Sensor type     | CMOS              |
| Shutter time    | 1/1 to 1/30,000 s |

### Lighting performance

|                         |   |
|-------------------------|---|
| WDR type                | True WDR  |
| WDR                     | 120 dB  |
| Day/night               | True Day/Night  |
| Motorized IR cut filter | Yes   |
| Color sensitivity       | Color: 0.005 Lux @ (F1.5, AGC ON), B/W: 0.001 Lux@(F1.5, AGC ON), 0 Lux with IR |
| Infrared (IR)           | Yes   |
| IR range                | 200 m   |
| IR wavelength           | 850nm   |

### Encoding

|                          |   |
|--------------------------|---|
| Video streams            | 3   |
| Main stream compression  | H.264, H.264+, H.265, H.265+  |
| Sub stream compression   | H.264, H.265, MJPEG   |
| Third stream compression | H.264, H.265, MJPEG   |
| Video bit rate           | 32 to 16 Mbps   |
| Main stream resolutions  | 1280 x 720 (XVGA), 1280 x 960 (720p), 1920 x 1080 (1080p), 2560 x 1440  |
| Sub stream resolutions   | 352 x 288 (CIF), 640 x 480 (VGA), 704 x 576 (4CIF)  |
| Third stream resolutions | 1280 x 720 (XVGA), 1280 x 960 (720p), 1920 x 1080 (1080p), 352 x 288 (CIF), 640 x 480 (VGA), 704 x 576 (4CIF) |
| Max. resolution @ fps    | 2560 x 1440 @ 25 fps  |

### Lens

|                |  |
|----------------|--|
| Focal length   | 5.9 mm to 188.8 mm - Horizontal FoV 50.8 to 2.6°, vertical FoV 29.4 to 1.5°, Diagonal FoV 57.4 to 3° |
| f-stop         | Max. F1.6  |
| Auto iris      | Yes  |
| Auto focus     | Yes  |
| Motorized zoom | Yes  |

### Pan/tilt/zoom

|                  |   |
|------------------|---|
| Pan              | Pan speed: configurable from 0.1° to 160°/s; preset speed: 240°/s |
| Tilt             | Tilt speed: configurable from 0.1° to 120°/s; preset speed 200°/s |
| Endless pan      | Yes   |
| Auto flip        | Yes   |
| Optical zoom     | 32x   |
| Digital zoom     | 16x   |
| Preset positions | 300   |
| Preset tours     | 8   |
| Shadow tours     | 4   |

### Network

|                             |   |
|-----------------------------|---|
| Network interface           | RJ-45 10/100 Mbps self-adaptive Ethernet interface  |
| Integration                 | CGI, ISAPI, ONVIF Profile G, ONVIF Profile S, ONVIF Profile T, SDK  |
| Supported network protocols | 802.1x, Bonjour, DDNS, DHCP, DNS, ezDDNS, FTP, HTTP, HTTPS, ICMP, IGMP, IPv4, IPv6, NTP, PPPoE, RTP, RTSP, SNMP, TCP/IP, UPnP |
| Simultaneous live view      | Up to 20 channels   |

### Audio

|                   |   |
|-------------------|---|
| Audio compression | G.711a, G.711alaw, G.711ulaw, G.722.1, G.726, MP2L2, PCM                        |
| Audio in          | 1 input (line in), max. input amplitude: 2-2.4 vpp, input impedance: 1 kΩ ± 10% |
| Audio out         | 1 output (line out), line level, output impedance: 600 Ω and built-in speaker   |
| Audio bit rate    | 64 Kbps (G.711)/16 Kbps (G.722.1)/16 Kbps (G.726)/32-192 Kbps (MP2L2)           |

### Alarm I/O

|               |  |
|---------------|--|
| Alarm inputs  | 2  |
| Alarm outputs | 1 alarm output and white flash alarm LED |

### Storage

|                       |   |
|-----------------------|---|
| Local storage type    | Built-in memory card slot, support microSD/SDHC/SDXC card |
| Max. SD card capacity | 256 GB  |

# TVGP-M01-0403-PTZ-G

TruVision 4MP IP PTZ camera, H.265+, 200m IR, 32x zoom, Hi-PoE/24VAC, wall mount incl.

## Video intelligence

|                          |  |
|--------------------------|--|
| Alarm trigger            | HDD error, HDD full, Invalid login, IP address conflict, Network disconnected  |
| ROI                      | 8 fixed regions for each stream  |
| Smart event              | Audio exception detection, Face capture, Intrusion detection, Line crossing detection, Motion detection, Object removal detection, Region entrance detection, Region exiting detection, Unattended baggage detection |
| Intelligent tracking     | Yes  |
| Face capture             | Can detect up to 5 faces simultaneously. Supports detecting, capturing, grading, selecting of faces in motion, and generates the best face picture.  |
| Person/vehicle filtering | These options can be configured on line crossing, intrusion detection, region entry/exit detection   |

## Electrical

|                   |   |
|-------------------|---|
| Operating voltage | 24VAC, Hi-PoE   |
| Power consumption | Max. 42 W (including max. 18 W for IR and max. 10 W for heater) |

## Physical

|                     |  |
|---------------------|--|
| Physical dimensions | Ø 220 × 363.3 mm<br>Ø 8.66 × 13.91 in. |
| Net weight          | Approx. 5.0 kg<br>Approx. 11.03 lb.    |
| Colour              | Grey (Pantone 428c)                    |
| Material            | Aluminium                              |
| Form Factor         | PTZ                                    |

## Environmental

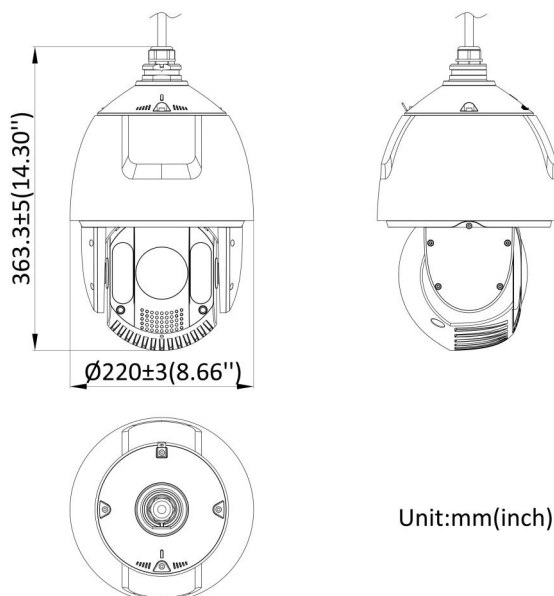
|                       |                               |
|-----------------------|-------------------------------|
| Operating temperature | -30 to 65 °C<br>-22 to 149 °F |
| Relative humidity     | 90% or less non-condensing    |
| IP rating             | IP66                          |

## Regulatory

|            |  |
|------------|--|
| Compliance | CE, EMC, FCC, RCM, REACH, RoHS 3, UKCA, UL, WEEE |
|------------|--|

## Compatible accessories

|                    |   |
|--------------------|---|
| Wall mount bracket | Included  |
| TVMI-PM            | TruVision pendant mount bracket, 57 mm / 2.24"                              |
| TVMI-PM2           | TruVision pendant mount bracket, 200 mm / 7.87"                             |
| TVMI-PM3           | TruVision pendant mount bracket, 500 mm / 19.7"                             |
| TVP-WM-CM          | Corner mount: use included wall mount bracket in combination with TVP-WM-CM |
| TVP-WM-PM          | Pole mount: use included wall mount bracket in combination with TVP-WM-PM   |



As a company of innovation, Carrier Fire & Security reserves the right to change product specifications without notice. For the latest product specifications, visit [firesecurityproducts.com](http://firesecurityproducts.com) online or contact your sales representative.

Last updated on 20 June 2022 - 10:52