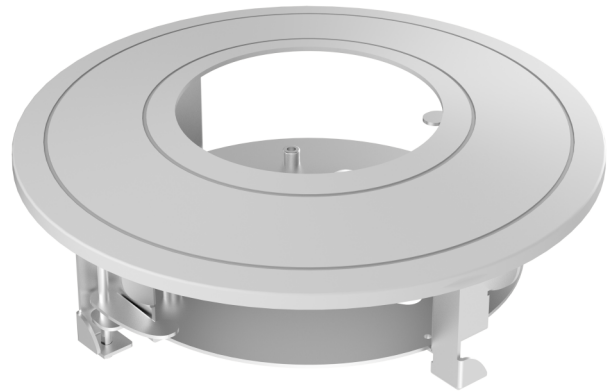


TVD-VFM3

TruVision Flush Mount for S6 varifocal dome camera with cable harness

Overview

The TruVision TVD-VFM3 Flush Mount bracket can be used to install the Series 6 IP cameras TVD-5604H / TVD-5605H / TVD-5606H directly on a ceiling without leaving space between the camera and the surface of the ceiling.



Details

- Steel and plastic materials with surface spray treatment
- Metal construction with magnetic trim ring
- Should only be used on a flat surface

TVD-VFM3

TruVision Flush Mount for S6 varifocal dome camera with cable harness

Technical specifications

General

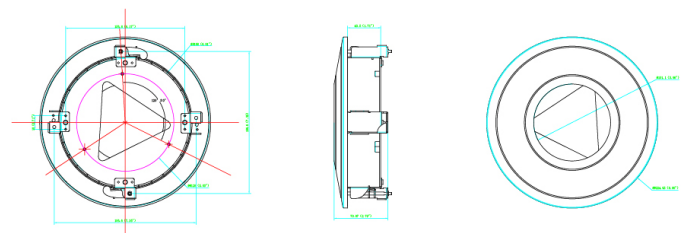
Bracket type	Camera
Camera support type	TruVision mini domes
Bracket mounting part	Mounting bracket
Mount type	Flush mount
Cable management	Yes

Physical

Physical dimensions	Ø 225 × 75.9 mm
Net weight	609 g
Colour	Grey (Pantone 428c)
Material	Steel

Compatibility

Cameras	TVD-5604H / TVD-5605H / TVD-5606H
---------	-----------------------------------



As a company of innovation, UTC Fire & Security reserves the right to change product specifications without notice. For the latest product specifications, visit UTC Fire & Security online or contact your sales representative.

Last updated on 6 May 2020 - 15:58

