

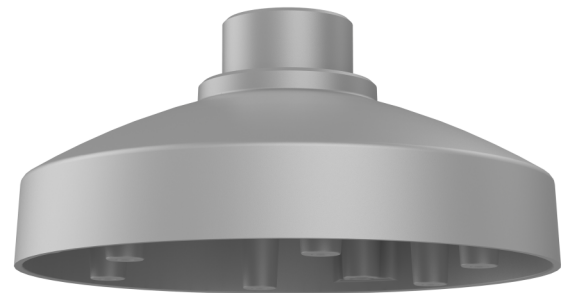
# TVD-CB8

## TruVision Cup Base for S7 indoor dome camera

### Overview

---

The TVD-CB8 cup base can be used in combination with mounting brackets TVD-SNB, TVD-PPB and TVD-CBW



### Details

---

- Compatible with camera brackets TVD-SNB, TVD-PPB, TVD-CBW
- For use with S7 indoor dome cameras TVD-5711, TVD-5712, TVD-5713, TVD-5714

# TVD-CB8

## TruVision Cup Base for S7 indoor dome camera

### Technical specifications

#### General

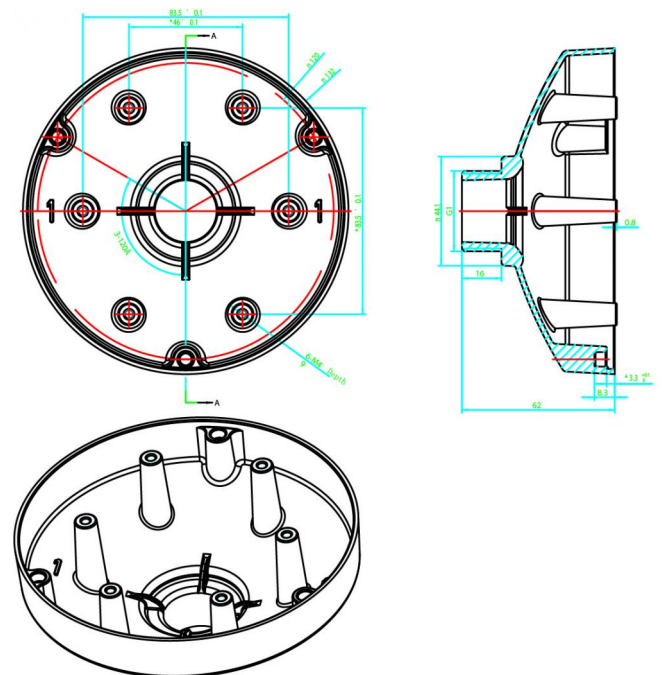
Bracket type	Camera
Camera support type	TruVision mini domes
Bracket mounting part	Cup base
Mount type	Pendant mount, Wall mount

#### Physical

Physical dimensions	Ø 132 x 62 mm Ø 5.19 x 2.44 in.
Net weight	190 g 0.42 lb.
Colour	Grey (Pantone 428c)
Material	Aluminium

#### Environmental

Environment	Indoor / Outdoor
-------------	------------------



As a company of innovation, UTC Fire & Security reserves the right to change product specifications without notice. For the latest product specifications, visit UTC Fire & Security online or contact your sales representative.

Last updated on 13 January 2021 - 10:57

