

TVD-CB3A-W

TruVision 3-inch Cup Base for S6 and M Series varifocal turret IP cameras, white

Overview

With the TVD-CB3A-W cup base, M series turret IP TVGP-M01-0402-TUR-W camera can be installed on wall/pendant mount brackets TVD-SNB-W, TVD-CBW-W and TVD-PPB-W.



Details

- Compatible with TVGP-M01-0402-TUR-W M series varifocal white turret IP camera
- Compatible with wall/pendant mount brackets TVD-SNB-W, TVD-CBW-W and TVD-PPB-W
- Designed for convenient wiring

TVD-CB3A-W

TruVision 3-inch Cup Base for S6 and M Series varifocal turret IP cameras, white

Technical specifications

General

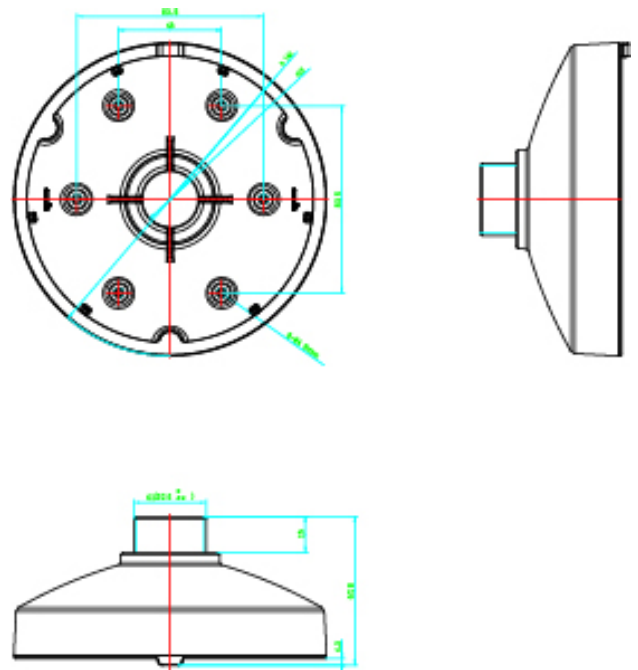
Bracket type	Camera
Camera support type	TruVision mini domes
Bracket mounting part	Cup base
Mount type	Pendant mount

Physical

Physical dimensions	Ø 140 x 66.6 mm
Net weight	220 g
Colour	White
Material	Aluminium

Compatibility

Cameras	TVGP-M01-0402-TUR-W / TVT-5610H
Wall/pendant mount brackets	TVD-SNB-W / TVD-CBW-W / TVD-PPB-W



As a company of innovation, Carrier Fire & Security reserves the right to change product specifications without notice. For the latest product specifications, visit firesecurityproducts.com online or contact your sales representative.

Last updated on 7 April 2022 - 17:33