

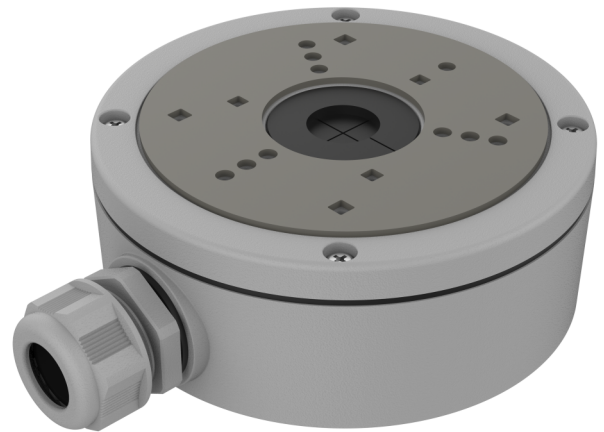
# TVB-BB2

## TruVision back box for M series Full Color fixed lens mini bullet camera

### Overview

---

The TruVision TVB-BB2 back box can be used in combination with TruVision Full Color mini bullet IP camera TVFC-M01-0401-BUL-G



### Details

---

- Cable outlets at side and bottom
- Can be used indoor and outdoor
- Should only be used on a flat surface

# TVB-BB2

## TruVision back box for M series Full Color fixed lens mini bullet camera

### Technical specifications

#### Geral

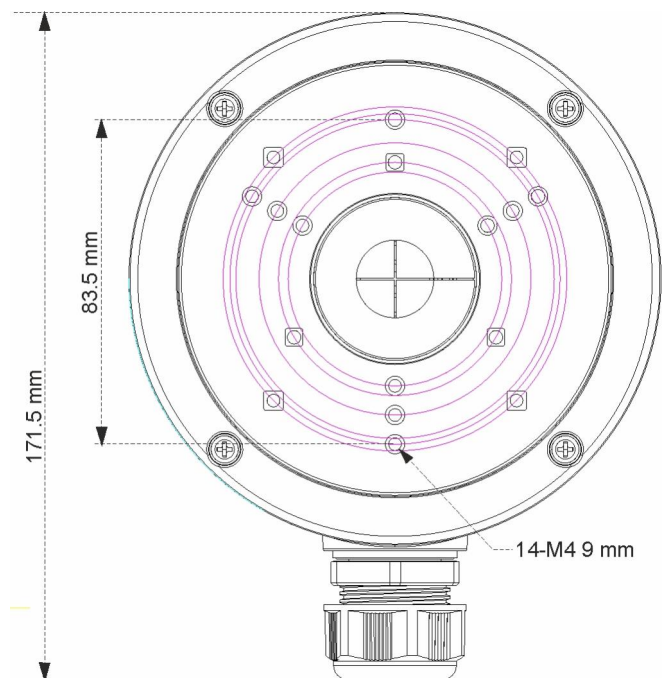
Bracket type	Camera
Support type	TruVision IP bullet cameras
Bracket mounting part	Mount connection box
Mount type	Surface mount

#### Físico

Physical dimensions	Ø 137 × 54 mm Ø 5.39 × 2.1 in.
Net weight	621 g 1.37 lb.
Colour	Grey (Pantone 428c)
Material	Aluminium

#### Compatibility

Cameras	TVFC-M01-0401-BUL-G
---------	---------------------



As a company of innovation, Carrier Fire & Security reserves the right to change product specifications without notice. For the latest product specifications, visit [firesecurityproducts.com](http://firesecurityproducts.com) online or contact your sales representative.

Last updated on 27 June 2023 - 15:10