

PSCL series power supply

Switch mode power supply 12VDC, IP67



CODE: **PSCL12030**
 TYPE: **PSCL 12V/3A switch mode power supply**

EN/II

Features of the power supply unit:

- power output 3A/12VDC*
- universal AC input voltage range 90÷264V
- high efficiency 83%
- standby power <0,3W
- efficiency level: V
- IP 67 case
- protections:
 - SCP short-circuit protection
 - overvoltage protection (AC input)
 - overload (OLP)
- warranty – 2 year from the production date



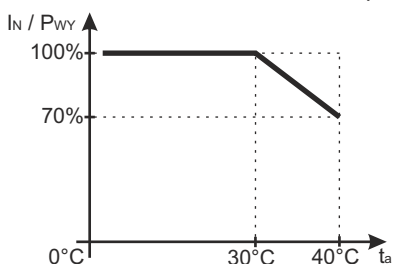
DESCRIPTION

Stabilized DC power supply is intended for supply equipments that require stabilised voltage of **12V DC**. When connected to fuse blocks of the LB4/xx/xx family, the power supply unit can feed more equipments (max. 4). The power supply unit is protected against short-circuit, overload and overvoltage.

SPECIFICATIONS.

| | |
|--------------------------------------|-------------------------------------------------------------------------------------------------|
| Supply voltage | 90 ÷ 264 V AC 50÷60Hz |
| Current consumption | 0,37A@230VAC max. |
| Supply power | 36W max. |
| Efficiency | 83% |
| Output voltage | 12V DC |
| Output current $t_{AMB}<30^{\circ}C$ | 3 A - refer to graph 1. |
| Output current $t_{AMB}=40^{\circ}C$ | 2,1 A - refer to graph 1. |
| Ripple voltage | 100mV p-p max. |
| Short-circuit protection SCP | electronic, automatic recovery |
| Overload protection OLP | 150-200% of power supply, automatic recovery |
| IP protection class | IP67 |
| Operation conditions | temperature $-10^{\circ}C \div 40^{\circ}C$ relative humidity 20%...90% without condensation |
| Dimensions (LxWxH) | 135 x 50 x33 [mm] |
| Net/gross weight | 0,31kg / 0,34kg |
| Protection class EN 60950-1:2007 | II (second) |
| Length of DC cable | 0,5 m |
| Length of AC cable | 0,3 m |
| Storage temperature | $-20^{\circ}C \dots +60^{\circ}C$ |

* In order to extend the life of the power supply, the load current of 2,1A is recommended.



Graph 1.
Relation between output current and ambient temperature (instantaneous load).

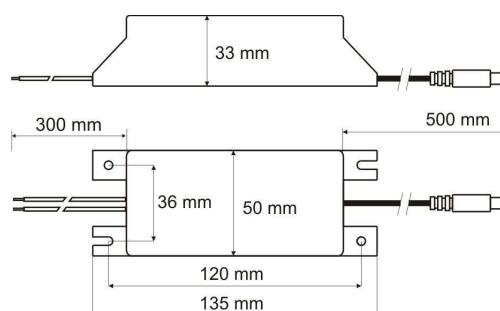
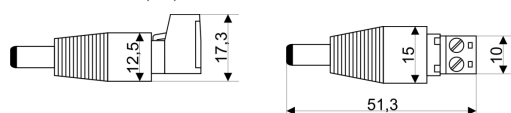


Fig.1 Dimension of power supply.

ACCESORIES

ACCESORIES :
 [1] adapter CABLE - PLUG DC 5,5/2,1 - code ML109



For power supplies are available accessories - fuse blocks and cable adapter. For details –visit www.pulsar.pl.

* Refer to graph 1