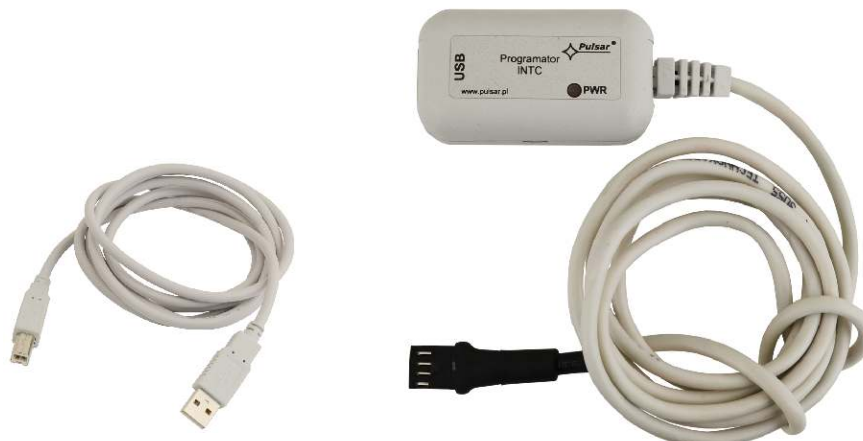


KOD: **INTC** v.1.0/1
TYP: **Programmer**

EN



- WiFi interface configuration: INTW, INTRW
- Powered from computer's USB port
- Cooperation with the PowerConfig software
- Optical indication
- Compact size
- Warranty - 5 years from the production date

1. General description.

The INTC programmer is designed to configure the INTW and INTRW Wi-Fi interfaces using the PowerConfig software. The configuration of parameters is described in the instructions of each interface.

Power supply	5V DC from USB port of the computer
Current consumption	Max. 25mA from USB port of the computer
Transmission speed	Max. 115200 bauds, parity check
Optical indication	PWR – supply voltage indication (red LED)
Compliance of the USB interface	USB 1.1 USB 2.0 (Full Speed)
Interface cable length	1.5 m
USB cable length	1,7m
Protection class	IP20
Operating conditions	temperature -10 °C ÷ 40 °C relative humidity 20%...90%
Dimensions (LxWxH)	57 x 32 x 25 [mm]
Net/gross weight	0,13kg / 0,18kg
Storage temperature	-20°C...+60°C
Declarations, warranty	CE, 5 year from the production date

Fig.1. Connection scheme during configuration of the INTW interface.

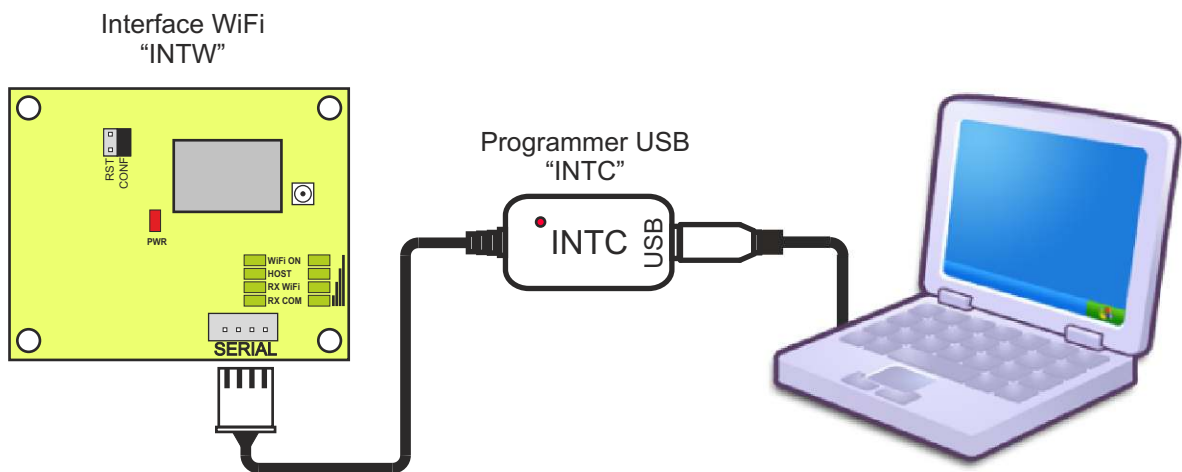


Fig.2. Connection scheme during configuration of the INTRW interface.

