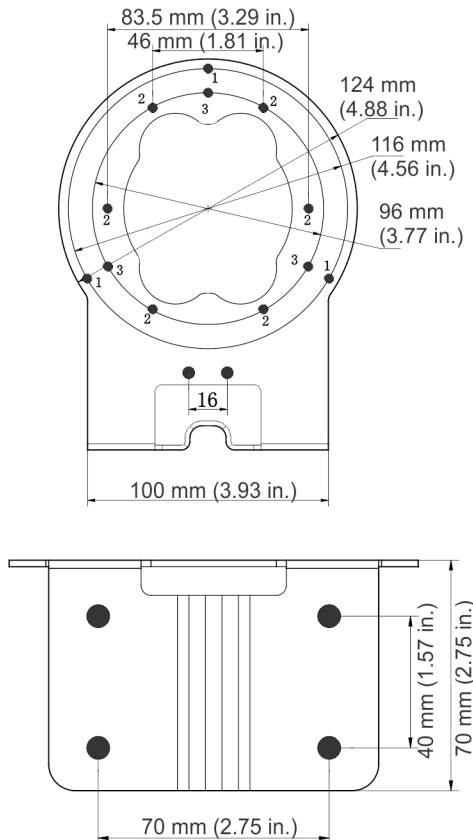


# TVD-LWB-2 L-shaped Wall Bracket Installation Instructions

## Description

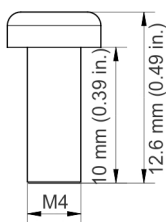
Dimensions: 100 × 162 × 70 mm (3.93 × 6.38 × 2.75 in.)



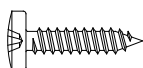
Weight: 265 g (0.58 lb.)

### Accessories:

Screw A 4 pcs  
(Used for attaching the camera to the brackets)

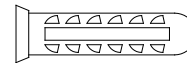


Screw B  $\Phi 4 \times 25$ mm (4 pcs)  
(Used for attaching brackets to the wall)



Drywall anchor

$\Phi 6 \times 29$ mm (4 pcs)



### Description of holes:

Hole 1 TruVision IP VF dome  
NTSC: TVD-3103, TVD-3104, TVD-3201, TVD-3202.  
PAL: TVD-1103, TVD-1104, TVD-1201, TVD-1202.

TruVision TVD-6/7 series analog vandal dome  
NTSC: TVD-6120VE-2-N, TVD-6125VE-2-N, TVD-7120VE-2-N, TVD-7125VE-2-N.  
PAL: TVD-6120VE-2-P, TVD-6125VE-2-P, TVD-7120VE-2-P, TVD-7125VE-2-P.

Hole 2 TruVision HD-TVI VF dome with back box  
NTSC: TVD-4402, TVD-4404.  
PAL: TVD-2402, TVD-2404.

TruVision 960H CMOS VF dome with back box  
NTSC: TVD-4202.  
PAL: TVD-2202.

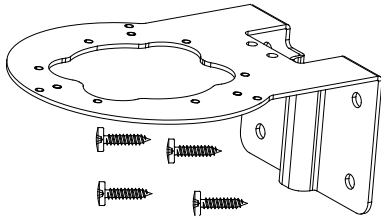
TruVision IP Indoor dome with adapter  
NTSC: TVD-N210V-2-N, TVD-N245V-2-N, TVD-M1210V-2-N, TVD-M1225V-2-N, TVD-M1210V-2U-N, TVD-M1225V-2U-N, TVD-M2210V-2-N, TVD-M2225V-2-N, TVD-M3210V-2-N, TVD-M3225V-2-N, TVD-M5225V-4-N.  
PAL: TVD-N210V-2-P, TVD-N245V-2-P, TVD-M1210V-2-P, TVD-M1225V-2-P, TVD-M1210V-2U-P, TVD-M1225V-2U-P, TVD-M2210V-2-P, TVD-M2225V-2-P, TVD-M3210V-2-P, TVD-M3225V-2-P, TVD-M5225V-4-P.

TruVision IP Outdoor motorized dome with back box  
NTSC: TVD-N225E-2M-N, TVD-M1245E-2M-N, TVD-M3245E-2M-N, TVD-M5225E-3M-N, TVD-3203, TVD-3204, TVD-3205.  
PAL: TVD-N225E-2M-P, TVD-M1245E-2M-P, TVD-M3245E-2M-P, TVD-M5225E-3M-P, TVD-1203, TVD-1204, TVD-1205.

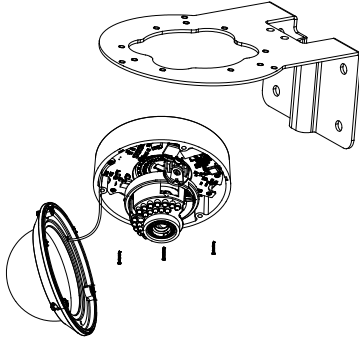
## Installation

### To attach a VF Mini dome to a TVD-LWB-2 bracket:

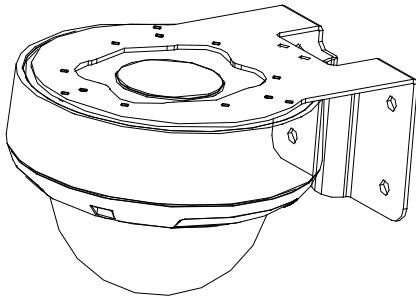
1. Attach the bracket to the wall by using the four B screws.



2. Remove the housing and attach the dome to the bracket by inserting three A screws into holes 1 (see Dimensions).

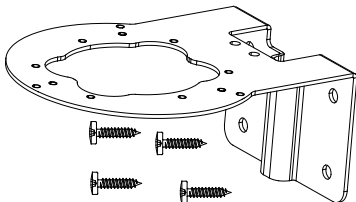


3. Finish cabling and lens adjustment, then attach the housing to the camera.

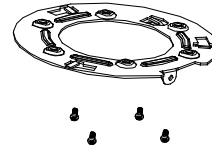
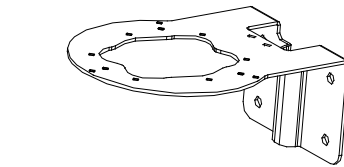


### To attach an indoor dome to a TVD-LWB-2 bracket:

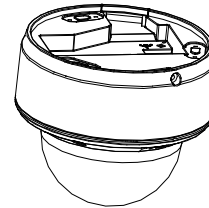
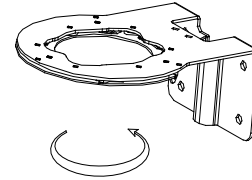
1. Attach the bracket to the wall by using the four B screws.



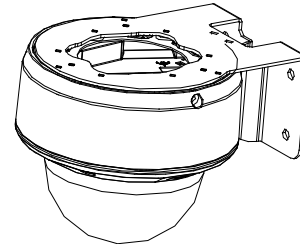
2. Attach the adaptor plate to the TVD-LWB-2 bracket by inserting the four A screws into holes 2 (see Dimensions).



3. Attach the camera and rotate it to lock the camera to the adapter.

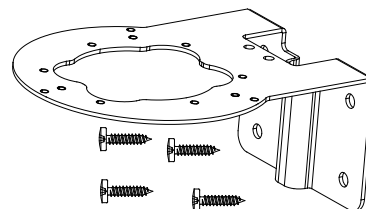


4. Finish cabling and lens adjustment.

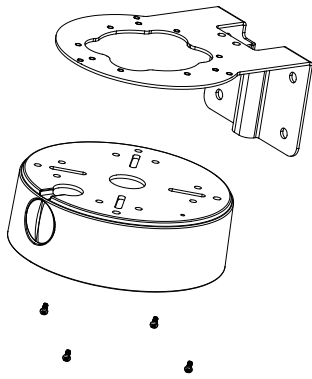


### To attach an analog VF dome to a TVD-LWB-2 bracket:

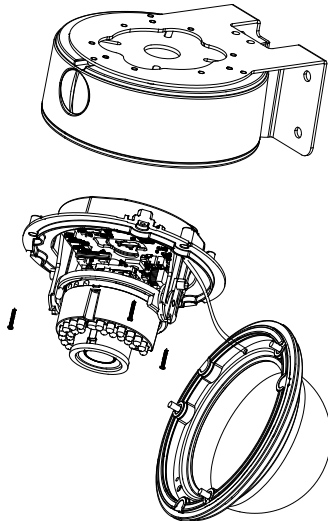
1. Attach the bracket to the wall by using the four B screws.



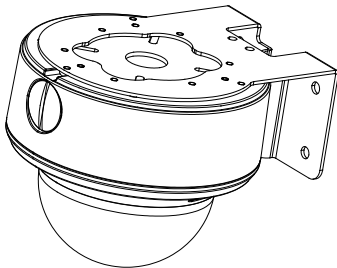
2. Attached the back box to the TVD-LWB-2 bracket by inserting the four A screws into holes 2 (see Dimensions).



3. Remove the housing and install the camera to back box with the screws included in the camera package.

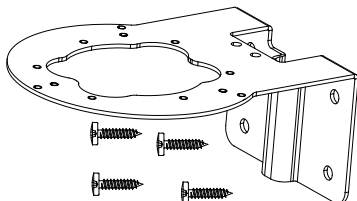


4. Finish cabling and lens adjustment, then attach the housing to the camera.

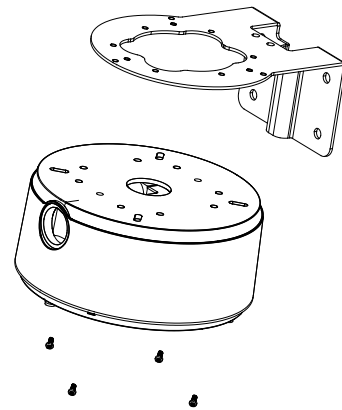


**To attach a Motorized VF dome to a TVD-LWB-2 bracket:**

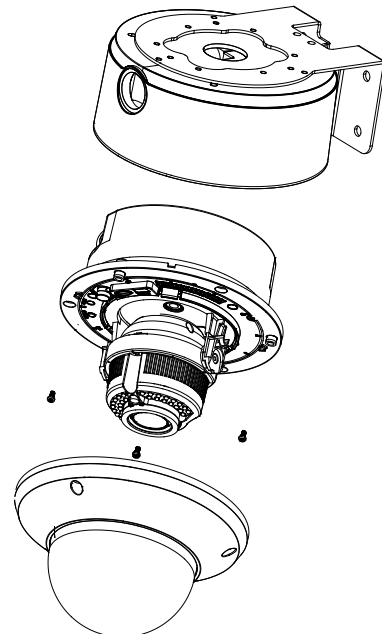
1. Attach the bracket to the wall by using the four B screws.



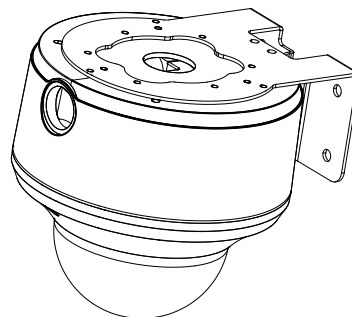
2. Attached the back box to the TVD-LWB-2 bracket by inserting the four A screws into holes 2 (see Dimensions).



3. Remove the housing and install the camera to the back box with the screws included in camera package.



4. Finish cabling and lens adjustment, then attach the housing to the camera.



## Regulatory information

Trademarks and patents

The trade names used in this document may be trademarks or registered trademarks of the manufacturers or vendors of the respective products.

## Contact information

For contact information, see [www.interlogix.com](http://www.interlogix.com) or [www.utcssecurityproducts.eu](http://www.utcssecurityproducts.eu).