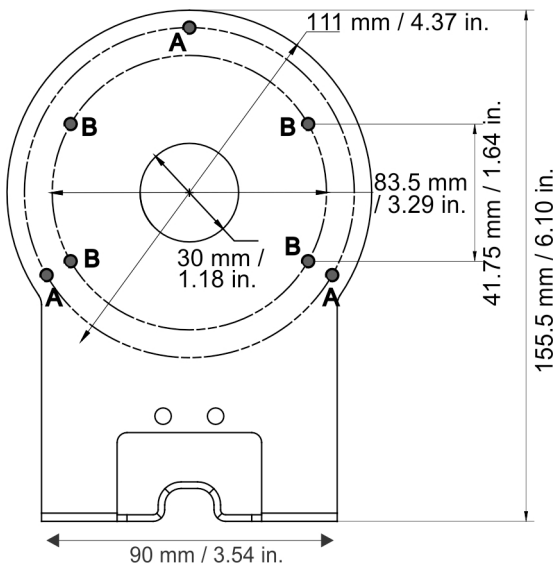


TVD-LWB-1 L-shaped Wall Bracket Installation Instructions

Description

Figure 1: Physical descriptions

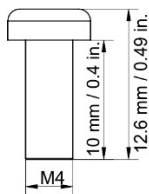
Dimensions: 155.5 × 90 × 70 mm (6.12 × 3.54 × 2.75 in.)



Weight: 278.7 g (0.61 lb.)

Accessories:

Screw A 4 pcs
(Used for attaching the camera to the brackets)



Screw B $\Phi 4 \times 25\text{mm}$ (4 pcs)
(Used for attaching brackets to the wall)



Drywall anchor $\Phi 6 \times 29\text{mm}$ (4 pcs)

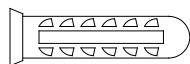


Figure 2: List of SKUs by hole position

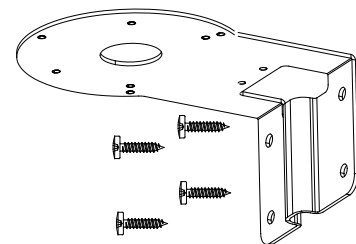
Hole A	TruVision IP plastic dome:
	NTSC: TVD-3105, TVD-3106
	PAL: TVD-1105, TVD-1106
	TruVision IP indoor plastic dome:
	NTSC: TVD-3101, TVD-3102
	PAL: TVD-1101, TVD-1102
	TruVision HD-TVI plastic dome:
	NTSC: TVD-4401, TVD-4403
	PAL: TVD-2401, TVD-2403
Hole B	TruVision IP wedge camera with adapter:
	NTSC: TVD-N210W-4-N, TVD-M1210W-2-N, TVD-M1210W-2W-N, TVD-M2210W-4-N, TVW-3101, TVW-3102, TVW-3107, TVW-3108, TVW-3109,
	PAL: TVD-N210W-4-P, TVD-M1210W-2-P, TVD-M1210W-2W-P, TVD-M2210W-4-P, TVW-1101, TVW-1102, TVW-1107, TVW-1108, TVW-1109
	TruVision wireless IP wedge camera with adapter:
	NTSC: TVW-3103, TVW-3104, TVW-3105, TVW-3106
	PAL: TVW-1103, TVW-1104, TVW-1105, TVW-1106
	TruVision marine IP wedge camera with adapter:
	NTSC: TVW-3110, TVW-3111, TVW-3112, TVW-3113, TVW-3114, TVW-3115.
	PAL: TVW-1110, TVW-1111, TVW-1112, TVW-1113, TVW-1114, TVW-1115,
	TruVision analog wedge camera with adapter:
	NTSC: TVW-4101
	PAL: TVW-2101

Installation

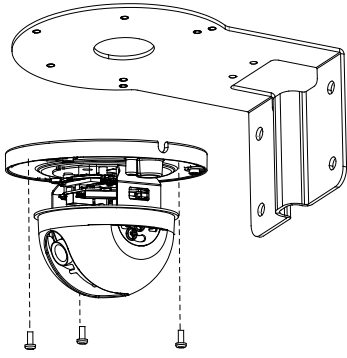
To attach a plastic dome to a TVD-LWB-1 bracket:

Note: See Figure 2 above above, Hole A, for the list of SKUs.

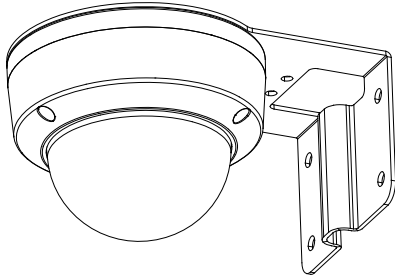
1. Attach the bracket to the wall using the four B screws.



2. Remove the housing and attach the dome to the bracket by inserting three A screws into holes A (see Figure 1 above for the location of the holes).



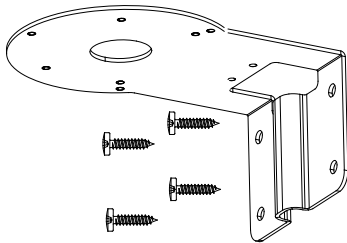
3. Finish cabling and adjust the lens, then attach the housing to the camera.



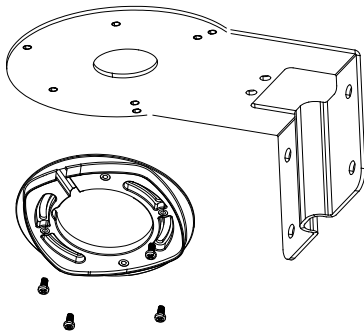
To attach a wedge camera to a TVD-LWB-1 bracket:

Note: See Figure 2 on page 1, Hole B, for the list of SKUs.

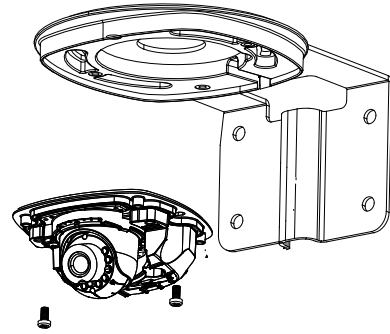
1. Attach the bracket to the wall by using the four B screws.



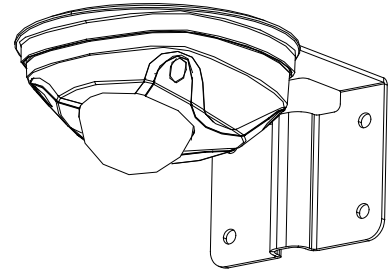
2. Attach the adaptor plate to the TVD-LWB-1 bracket by inserting the four A screws into holes B (see the Figure 1 on page 1e for the location of the holes).



3. Remove the housing and attach the camera to the adaptor plate with two screws (included with the camera).



4. Finish cabling and adjust the lens, then re-attach the housing to the camera.



Legal information

Trademarks and patents

The trade names used in this document may be trademarks or registered trademarks of the manufacturers or vendors of the respective products.

Contact information

For contact information, see www.interlogix.com or www.utcssecurityproducts.eu.