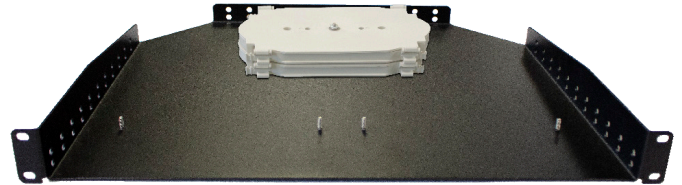




# FiberPatrol® FP400 Rack Mount Tray Kit

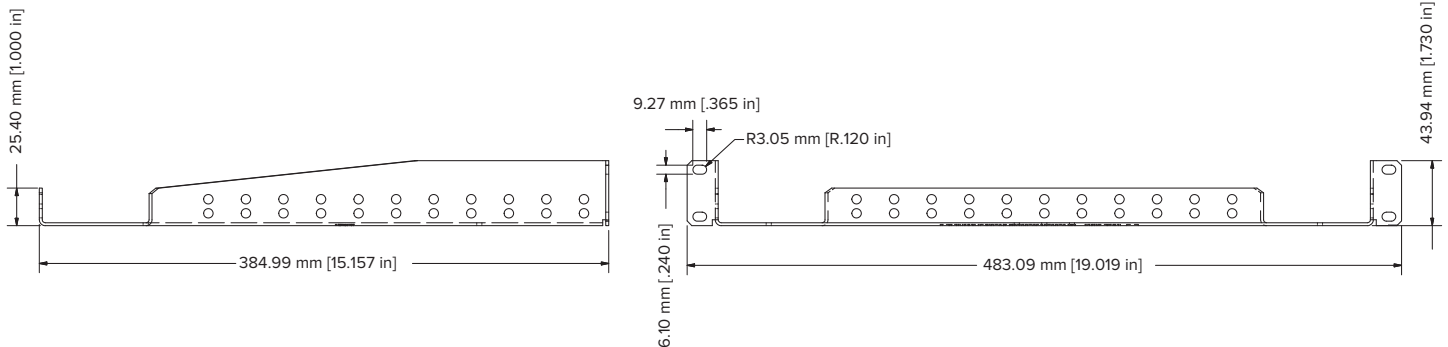
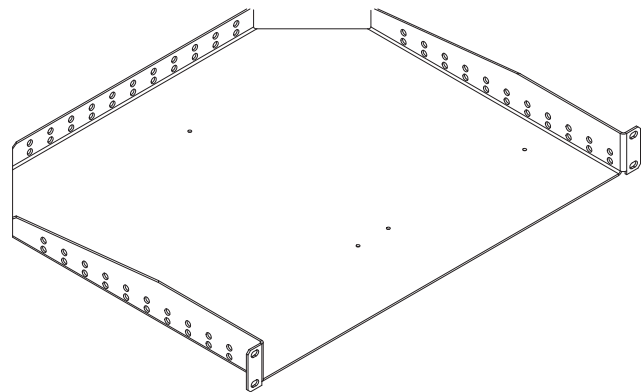
## F4KT0500

The FiberPatrol FP400 Rack Mount Tray Kit enables two FP400 processors to be installed in a 19-inch rack. The kit includes two splice trays as well as pre-installed bolts on the tray for securing the processors via their mounting flanges.



### General Specifications

- 14-gauge steel with sand texture black powder finish
- Processor capacity: 2
- Splice trays: 2 (included)
- Rack height: 1U
- Mounting hole spacing: 16 mm (0.625 in)
- Dimensions (W x H x D): 483 x 44 x 385 mm (19 x 1.7 x 15.2 in)
- Weight: 2.9 kg (6.4 lb)
- Includes washers and nuts for use on pre-installed processor mounting bolts



See the FiberPatrol® FP400 Datasheet for a full system description.