



Product Data Sheet

TVP-2101

TruVision™ 23X, 700 TVL, PAL, Outdoor, Pan/Tilt/Zoom Camera, Pendant mount

Overview

The TruVision™ 960H PTZ line comes with new, full-featured camera options that help you choose the best PTZ for your application. The dome works with multiple vendor systems and can easily be added to an existing system. Available housings are among the most durable in the industry and permit the installation of a dome in a wide range of applications. Choose from two camera modules that feature day/night, digital wide dynamic range and image stabilization.

Two camera options are available in a 23X optical zoom and 36X optical zoom. Both cameras feature true day/night, DWDR, 16X digital zoom and EIS. The DWDR feature is ideal for use in highcontrast lighting conditions and intelligently adjusts the amount of compensation that is required for an ideal image. Digital zoom extends the range of the cameras beyond standard optical zoom lenses. This EIS stabilization feature offers additional image improvements when the camera is installed in areas subject to vibration.

Cameras are mounted into housings featuring alarms and relays for direct wiring to nearby sensors. Indoor and outdoor housings are designed to hold up in a variety of environmental conditions, with standard outdoor housings achieving an IP66 environmental rating, and can operate down to – 30° degrees.

TruVision™ PTZ allows the user to do preset up to 256 positions, repeatable to within ±0.1 degree. Set areas, privacy masks, and preset and Shadow Tours for maximum surveillance. Set specific operations when the camera is powered on.



Standard Features

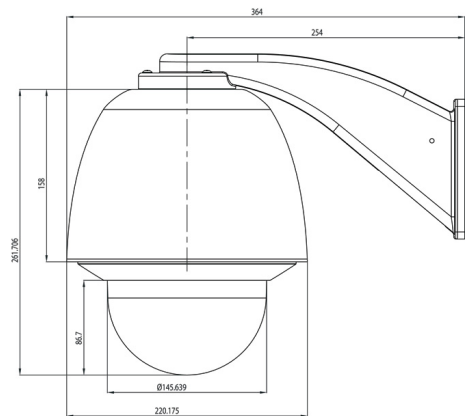
- 1/3inch CCD Interlaced scan
- 960H (700 TVL) resolution
- 24 Privacy Masks
- Models include 7 alarm inputs and 2 relay output
- 256 preset positions, 8 preset tours, and 4 shadow tours
- 360° Endless Rotation
- 540°/s Pan Preset Speed and 400°/s Tilt Preset Speed
- Auto-Flip image
- Compatible with GEA and UVP accessories
- Wall bracket to be ordered separately
- Intelligent tracking

TVP-2101

TruVision™ 23X, 700 TVL, PAL, Outdoor, Pan/Tilt/Zoom Camera, Pendant mount

Specifications

Camera	
Sensor Size	1/3"
Sensor Scan:	Interlaced
Sensor Type:	CCD
Total pixels (H x V):	PAL: 1020 × 596 / NTSC:1020 × 508
Effective pixels (H x V):	PAL: 976 × 582 / NTSC:976 × 494
Resolution (color):	700 TVL
Resolution (B&W):	700 TVL
Synchronization system:	Internal
Electronic shutter:	1/3 to 1/10,000s
Digital S/N ratio:	52 dB (AGC OFF)
Video signal:	1.0Vp-p
Certification:	UL, CE, FCC, C-tick, REACH, RoHS, HALT, WEEE
Lighting performance	
Wide Dynamic Range:	DWDR
WDR in dB:	128X
Digital noise reduction:	3D DNR
Highlight compensation (HLC):	No
Day/Night:	True Day/Night
Motorized IR Cut Filter:	Yes
Color sensitivity:	0.1Lux @(F1.6,AGC ON)
B/W sensitivity:	0.01Lux @(F1.6,AGC ON)
IR sensitivity:	NA
IR Range:	No
IR Wavelength:	850 nm
B/W trigger:	4.0 lux
IR trigger:	No
Housing	
Camera type:	Pendant
IP rating:	IP66
Outdoor:	Yes
Rugged:	Yes
Vandal proof:	Yes
Cable management:	Yes
PTZ	
Pan:	Pan Manual Speed: 0.1° to 300°/s Pan Preset Speed: 540°/s
Tilt:	Tilt Manual Speed: 0.1° to 240°/s Tilt Preset Speed: 400°/s
Endless Pan:	Yes
Auto-flip:	Yes
Optical zoom:	23X
Digital zoom:	16X
Presets:	256
PTZ Protocol:	Interlogix-485, Pelco-P, Pelco-D
Lens	
Mount type:	Camera Block
Control type:	Zoom Lens
Focal length:	4.0 to 92 mm
F-stop:	F1.6 to F3.7
Autoiris:	Yes
Varifocal:	Yes
Zoom lens:	Yes
Autofocus:	Yes
Power consumption	
PSU included:	No
Voltage Input:	24 VAC
Current:	Max. 1.5A
Power Consumption:	Max. 35W
Audio	
Audio:	Two-way
Built-in microphone:	No
Audio compression:	No
Camera Analytics	
Motion Detection:	No
Privacy Masking:	24
Alarm Output:	2
Mechanical/ Environmental	



As a company of innovation, UTC Fire & Security reserves the right to change product specifications without notice. For the latest product specifications, visit UTC Fire & Security online or contact your sales representative.

IPS-H-TVP-2101-2014-03-14 09:13:15



UTC Fire & Security

A United Technologies Company