



Product Data Sheet

TVP-1101

TruVision™ 1.3 MPX HD Pendant 20X PTZ dome, PAL

Overview

TruVision IP HD 1.3 MPX PTZ gives you a full-functional dome that allows you to enjoy all the benefits of a PTZ solution in high definition.

PTZ technology

This series of H.264 PTZ solutions makes use of the latest available technology that allows the dome to be installed in a wide range of applications and environmental conditions. They are available with IP66-rated standard outdoor pendant housings as well as flush and surface-mount indoor housings.

This latest PTZ solution is equipped with high quality progressive scan imaging technology.

Compression & streaming

The TruVision HD IP PTZ camera uses H.264 compression technology with dual-streaming capability, making it easy to manage the camera's bandwidth usage. Fully designed to adhere to the ONVIF and PSIA open communication standards as well as supporting a CGI command set, the camera allows for simple integration into any IP system. Video streams can be set up for high or low bandwidth, and images can be streamed for live viewing or sent to a designated recording location.

Additional Features

ROI - This feature helps you to optimize image bandwidth and storage. You can select an important area of detail or ROI (Region of interest) in a stream, such as a number plate or face. The ROI area will have a higher quality image and the non-ROI areas will have a lower image quality thereby saving bandwidth.

Intelligent tracking - This is used to track a moving object or person in a selected region.



Standard Features

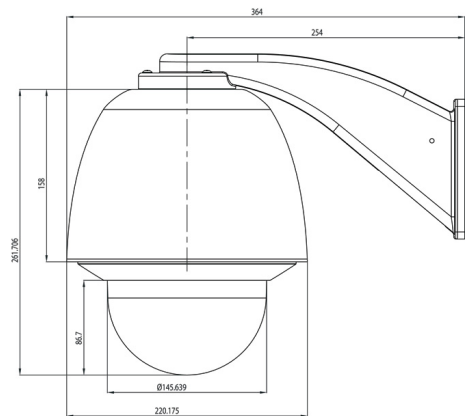
- 1/3" Progressive Scan CMOS
- 1.3 MPX HD sensor
- HD 960p Real-Time
- H.264 Advanced compression technology
- ONVIF/PSIA/CGI compliant
- Models include 7 alarm inputs and 2 relay output
- 256 preset positions, 8 preset tours and 4 shadow tours
- 360° endless rotation
- 540°/s Pan Preset Speed and 400°/s Tilt Preset Speed
- Auto-flip image
- Intelligent tracking
- ROI encoding of a selected area in the image
- Built-in SDHC card slot
- For pendant mount
- Bracket is not included
- IP66 rated
- Compatible with GEA and UVP accessories

TVP-1101

TruVision™ 1.3 MPX HD Pendant 20X PTZ dome, PAL

Specifications

Camera	
Sensor Size:	1/3"
SD / MPX:	1.3 MPX
Sensor scan:	Progressive Scan
Sensor type:	CMOS
IP Compression/Standard:	Main stream: H.264 H.264/MJPEG Sub stream:
Available Resolutions:	Main stream: 1280x960,1280x720 Sub stream: 704x576,352x288,176x144
Maximum Resolution (@ FPS):	1280x960 @25 fps
Maximum Real Time Resolution:	1280x960
HD 720p:	Yes
Composite Output (BNC):	Yes, 1 BNC
Digital S/N ratio:	50dB
Electronic shutter:	1/25s to 1/100.000s
Certification:	UL, CE, FCC, C-tick, REACH, RoHS, HALT, WEEE
Lighting performance	
Wide Dynamic Range:	DWDR
WDR in dB:	NA
Digital noise reduction:	3D DNR
Day/Night:	True Day/Night
Motorized IR Cut Filter:	Yes
Color sensitivity:	0.05 lux @ F1.4, 1/1s, AGC ON
B/W sensitivity:	0.005 lux @ F1.4, 1/1s, AGC ON
B/W trigger:	1lux
Housing	
Camera type:	Pendant mount
IP rating:	IP66
Outdoor:	Yes
Vandal-Resistant	comes with (IK10) vandal proof bubble:
PTZ	
Pan:	Pan Manual Speed: 0.1° -300°/s, Pan Preset Speed: 540°/s
Tilt:	Tilt Manual Speed: 0.1°-240°/s, Tilt Preset Speed: 400°/s
Endless Pan:	360°endless
Auto-flip:	Auto Flip
Optical zoom:	20X
Digital zoom:	16X
Presets:	256
Lens	
Focal length:	4.3-86.0mm
F-stop:	F1.4 - F2.6
Autoiris:	Yes
Varifocal:	Yes
Zoom lens:	20x
Autofocus:	Yes
Power consumption	
PSU included:	No
Voltage Input:	24VAC
Current:	PoE+: Max. 0.5A 24VAC: Max. 2.7A
Power Consumption:	PoE+: Max. 25 W 24VAC: Max. 65 W
PoE:	PoE+(802.3at)
Network	
ONVIF:	2.2
PSIA:	1.1
CGI:	Yes
Network Protocols:	TCP/IP, HTTP, DHCP, DNS, DDNS, RTP, RTSP, PPPoE, SMTP, NTP, UPnP,
As a company of innovation, UTC Fire & Security reserves the right to change product specifications without notice. For the latest product specifications, visit UTC Fire & Security online or contact your sales representative.	
Local Storage Media:	Built-in SD/SDHC Slot
Capacity:	up to 32GB



UTC Fire & Security

A United Technologies Company