



Product Data Sheet

TVC-M5225E-3M-P

5 MPX Full HD Outdoor IR Bullet Camera, 3.5-9.0 mm, PAL

Overview

The TVC-M5225E-2M-P is an IP Full HD outdoor IR bullet camera, designed to perform in a wide range of lighting conditions.

Its built in IR LEDs provide illumination up to 30 meters to ensure qualitative images – even in low light environments.

The camera features a built-in motorized zoom lens with autofocus feature, a built in heater as well as compliancy with the ONVIF and PSIA open standards.

Ease of Use

The camera's motorized zoom lens and autofocus feature make it particularly easy for installers and users to operate this camera. All that needs to be done is mount the camera and point the lens in the right direction. Using the camera's web browser, you simply determine the field of view by adjusting the zoom factor, after which you activate the auto focus feature to create a crisp image.

Using this feature, losing time while tweaking the camera is a thing of the past!

IP technology

TruVision cameras utilize H.264 compression with dual-streaming capability, making it easy to manage the camera's bandwidth usage.

These cameras were designed to adhere to PSIA and ONVIF open communication standards, and also support a CGI command set for simple integration into any IP system. Video streams can be set for high and low bandwidth and images can be streamed for live viewing or sent to a designated recording location.



Standard Features

- IR bullet camera
- Real time Full HD1080p resolution
- Designed to ONVIF and PSIA open standards
- ONVIF Profile S
- 1/2.5" CMOS Progressive Scan
- 5 megapixel resolution
- Motorized IR cut filter
- 0 Lux (IR on)
- 30m IR illumination
- Motorized zoom lens
- Auto focus feature
- H.264 with dual streaming functionality

TVC-M5225E-3M-P

5 MPX Full HD Outdoor IR Bullet Camera, 3.5-9.0 mm, PAL

Specifications

Camera

- Sensor Size: 1/2.5"
- SD / MPX: 5 MPX
- Sensor scan: Progressive Scan
- Sensor type: CMOS
- IP Compression/Standard: H.264/MPEG4/MJPEG
- Available Resolutions: (main)2560 × 1920, 2048 × 1536, 1920 × 1080, 1600 × 1200, 1280 × 720 - (sub)QVGA/CIF
- Maximum Resolution (@ FPS): 2560×1920 (7.5fps NTSC / 6.5 PAL)
- Maximum Real Time Resolution: 1920 × 1080
- HD 720p: Yes
- Full HD 1080p: Yes
- Composite Output (BNC): No
- Digital S/N ratio: 49.1dB
- Electronic shutter: 1/25 s to 1/100,000 s
- Certification: UL, CE, FCC

Lighting performance

- Wide Dynamic Range: No
- WDR in dB: NA
- Digital noise reduction: 2D
- Day/Night: True Day/Night
- Motorized IR Cut Filter: Yes
- Color sensitivity: 0.6Lux @(F1.2,AGC ON)
- B/W sensitivity: 0.08Lux @(F1.2,AGC ON)
- IR sensitivity: 0 Lux with IR
- IR Range: Approx. 20 to 30 meters
- IR Wavelength: 850nm
- B/W trigger: 3.2Lux
- IR trigger: 3.2Lux

Housing

- Camera type: IR Bullet
- IP rating: IP66
- Outdoor: Yes
- Rugged: Yes

Lens

- Mount type: N/A
- Control type: Motorized
- Optical zoom: Yes
- Focal length: 3.5 – 9 mm @ F1.6
- F-stop: 1.6
- Autoiris: DC drive

- Varifocal: Yes
- Zoom lens: 2.57
- Autofocus: Yes

Power consumption

- PSU included: No
- Voltage Input: 12 V DC
- Current: 1A
- Power Consumption: Max. 12 W
- PoE: PoE (802.3af)

Network

- ONVIF: 2.1 Profile S
- PSIA: Yes
- CGI: Yes
- Network Protocols: TCP/IP, HTTP, DHCP, DNS, DDNS, RTP, RTSP, PPPoE, SMTP, NTP, UPnP, ICMP, IGMP, SNMP, FTP, 802.1x, QoS, HTTPS

Local Storage

- Media: No
- Capacity: No

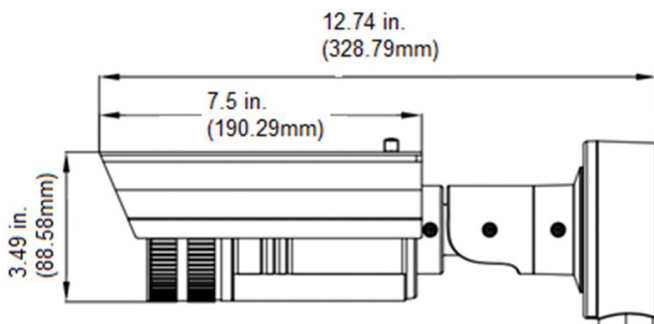
Camera Analytics

- Motion Detection: Yes
- Privacy Masking: Yes

Mechanical/ Environmental

- Dimensions: 98 × 88.58 × 328.79 mm (3.86" × 3.49" × 12.94")
- Weight: 1700 g (3.75 lbs)
- Cold start Temperature: -10 °C – 60 °C (14 °F – 140 °F)
- Operating Temperature: -30 °C – 60 °C (-22 °F – 140 °F)

Diagram



Ordering Information

TVC-M5225E-3M-P

5 MPX Full HD Outdoor IR Bullet Camera, 3.5-9.0 mm, PAL

TVC-M5225E-3M-N

5 MPX Full HD Outdoor IR Bullet Camera, 3.5-9.0 mm, NTSC

