



## Product Data Sheet

# TVC-M1245E-2M-P

1.3 MPX HD Outdoor IR Bullet Camera, 2.7-9.0 mm

### Overview

The TVC-M1245E-2M-P is an IP HD outdoor IR bullet camera, designed to perform in a wide range of lighting conditions.

Its built in IR LEDs provide illumination up to 30 meters to ensure qualitative images – even in low light environments. The camera's Wide Dynamic Range feature ensures that qualitative images are obtained, even in challenging backlight scenes.

The camera features a built-in motorized zoom lens with autofocus feature, a built in heater as well as compliancy with the ONVIF and PSIA open standards.



### Ease of Use

The camera's motorized zoom lens and autofocus feature make it particularly easy for installers and users to operate this camera. All that needs to be done is mount the camera and point the lens in the right direction. Using the camera's web browser, you simply determine the field of view by adjusting the zoom factor, after which you activate the auto focus feature to create a crisp image.

Using this feature, losing time while tweaking the camera is a thing of the past!

### IP technology

TruVision cameras utilize H.264 compression with dual-streaming capability, making it easy to manage the camera's bandwidth usage.

These cameras were designed to adhere to PSIA and ONVIF open communication standards, and also support a CGI command set for simple integration into any IP system. Video streams can be set for high and low bandwidth and images can be streamed for live viewing or sent to a designated recording location.

### Standard Features

- IR bullet camera
- Real time HD720p resolution
- Designed to ONVIF and PSIA open standards
- H.264 with dual streaming functionality
- 1/3" CMOS Progressive Scan
- Motorized IR cut filter
- Wide Dynamic Range
- 0 Lux (IR on)
- 30m IR illumination
- Motorized zoom lens
- Auto focus feature

# TVC-M1245E-2M-P

1.3 MPX HD Outdoor IR Bullet Camera, 2.7-9.0 mm

## Specifications

### Camera

- Sensor Size: 1/3"
- SD / MPX: MPX
- Sensor scan: Progressive Scan
- Sensor type: CMOS
- IP Compression/Standard: H.264/MPEG4/MJPEG
- Available Resolutions: (main)XVGA/720P/VGA (sub)QVGA/CIF
- Maximum Resolution (@ FPS): 1280 × 960 (25fps)
- Maximum Real Time Resolution: 1280 × 960
- HD 720p: Yes
- Composite Output (BNC): Yes
- Digital S/N ratio: 68.3dB
- Electronic shutter: 1/25 s to 1/100,000 s
- Certification: UL, CE, FCC

### Lighting performance

- Wide Dynamic Range: Yes
- WDR in dB: 120dB
- Digital noise reduction: 3D
- Day/Night: True Day/Night
- Motorized IR Cut Filter: Yes
- Color sensitivity: 0.01Lux @(F1.2,AGC ON)
- B/W sensitivity: 0.01Lux @(F1.2,AGC ON)
- IR sensitivity: 0 Lux with IR
- IR Range: Approx. 20 to 30 meters
- IR Wavelength: 850nm
- B/W trigger: 3Lux
- IR trigger: 3Lux

### Housing

- Camera type: IR Bullet
- IP rating: IP66
- Outdoor: Yes
- Rugged: Yes
- Vandal proof: Yes

### Lens

- Mount type: N/A
- Control type: Motorized
- Optical zoom: Yes
- Focal length: 2.7 – 9 mm @ F1.6
- F-stop: N/A
- Autoiris: DC drive

- Varifocal: Yes
- Zoom lens: 3.33
- Autofocus: Yes

### Power consumption

- PSU included: No
- Voltage Input: 12 V DC
- Current: N/A
- Power Consumption: Max. 12 W
- PoE: PoE (802.3af)

### Network

- ONVIF: Yes
- PSIA: Yes
- CGI: Yes
- Network Protocols: TCP/IP, HTTP, DHCP, DNS, DDNS, RTP, RTSP, PPPoE, SMTP, NTP

### Local Storage

- Media: No
- Capacity: No

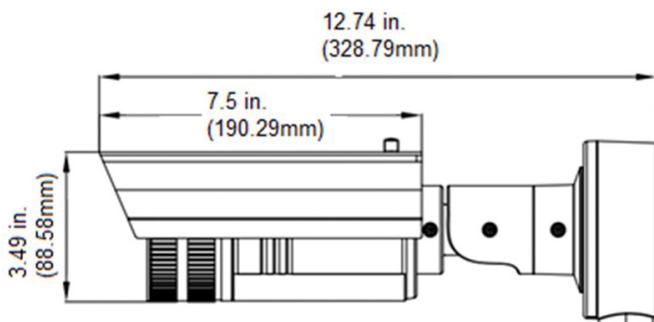
### Camera Analytics

- Motion Detection: Yes
- Privacy Masking: Yes

### Mechanical/ Environmental

- Dimensions: 98 × 88.58 × 328.79 mm (3.86" × 3.49" × 12.94")
- Weight: 1700 g (3.75 lbs)
- Operating Temperature: -10 °C – 60 °C (14 °F – 140 °F)

## Diagram



## Ordering Information

TVC-M1245E-2M-P

1.3 MPX HD Outdoor IR Bullet Camera, 2.7-9.0 mm

