



Product Data Sheet

S30-RJ

SFP-Port Gigabit Mini GBIC Transceiver Module Copper - 100m

Overview

The UTC Fire & Security transceiver module is compliant with the SFP Multisource Agreement (MSA), these transceiver modules feature hot-plug capability for easy installation without interrupting host equipment operating online.



Standard Features

- SFP multi-source agreement compliant
- Data rate 1.25 Gbps
- Low power dissipation
- RJ-45 connector
- Low power dissipation
- Plug-and-play capability for easy installation
- Hot Pluggable
- 0°C to +50°C operation temperature
- TTL signal detect indicator
- Single power supply 3.3V
- Comply with the IEEE 802.3ab

S30-RJ

SFP-Port Gigabit Mini GBIC Transceiver Module Copper - 100m

Specifications

SFP specific features

General

- PHY Type SFP-1000T
- # of Fibers -
- Max. Distance : 100m
- Connector RJ-45
- TX Wavelength -
- Datarate : 1.25Gbps
- PHY Type : SFP-1000T
- Power (dBm) -
- RX Sen. (dBm) -
- Power Budget -

Electrical and Mechanical

- Input Voltage 3.3V DC
- Dimensions (W x D x H) 2.20 x 0.59 x 0.49 in. (59 x 15 x 12.4 mm)
- Weight (ounces, grams) 0.6 oz, 18g
- Storage Temperature -40 ~ 85° C
- Relative Humidity 5% ~ 95% (non-condensing)
- Reliability >50,000 hrs @ 25° C

Standards Compliance

- EMI EN 55022 CLASS A:2006+A1 : 2007 / EN61000-3-2:2006 / EN61000-3-3:1995+A1:2001+A2:2005
- EMS 55024:1998+A1:2001+A2:2003 / IEC 61000-4-2:Edition 1.2 2001-04 / IEC 61000-4-3:Edition 3.0 2006 / IEC 61000-4-4:2004 / IEC 61000-4-5:Edition 2.0 2005 / IEC 61000-4-6:Edition 2.2 2006 / IEC 61000-4-8:Edition 1.1 2001-03 / IEC 61000-4-11:Second Edition
- Regulatory Standards FCC Part 15 Class B, CE

Environmental Specifications

- Operating Temperature : 0°C~+50°C
- Operating Relative Humidity : 5%~95% (non-condensing)
- Storage Temperature : -40°C~+85°C
- Storage Relative Humidity : 5%~95% (non-condensing)

Electrical Specification

- Input Voltage : 3.3V DC
- AS/NZS CISPR 22 : 2006

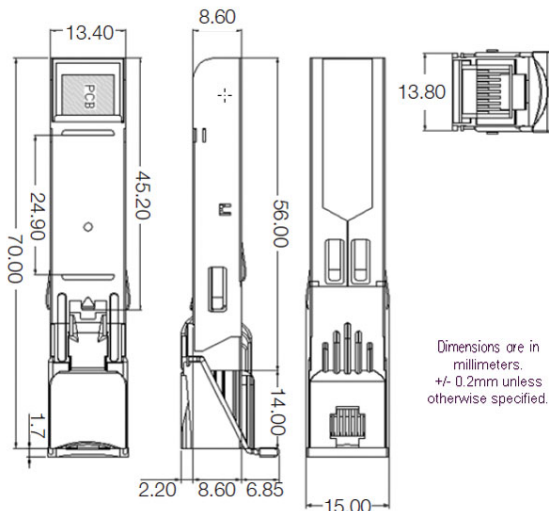
Reliability

- MTBF : > 50,000 hrs @ 25°C

Standards Conformance

- Standards Compliance : IEEE 802.3ab Fast Ethernet Standard

Diagram



Ordering Information

S30-RJ
SFP-Port Gigabit Mini GBIC Transceiver Module Copper - 100m

