



## Product Data Sheet

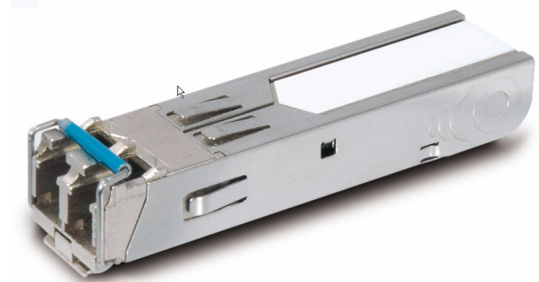
# S30-2MLC

SFP-Port Gigabit Mini GBIC Transceiver Module (850nm) - 220m / 550m - MM

### Overview

---

The UTC Fire & Security transceiver module is specifically designed to accommodate high-performance optical fiber. Compliant with the SFP Multisource Agreement (MSA), these transceiver modules feature hot-plug capability for easy installation without interrupting host equipment operating online. The SFP Mini GBIC transceiver can install into UTC Fire & Security switch products with 100Base-FX or 1000Base-SX/LX SFP interface.



### Standard Features

---

- SFP multi-source agreement compliant
- Data rate 1.25Gbps
- Max 220m distance based on 62.5 / 125 (OM1) fiber
- Max 550m distance based on 50 / 125 (OM2) fiber
- Class 1 laser safety standard IEC 60825 compliant
- LC duplex receptacle
- Low power dissipation
- Plug-and-play capability for easy installation
- Hot Pluggable
- 0°C to +50°C operation temperature
- TTL signal detect indicator
- Single power supply 3.3V
- Comply with the IEEE 802.3ab

# S30-2MLC

SFP-Port Gigabit Mini GBIC Transceiver Module (850nm) - 220m / 550m - MM

## Specifications

### SFP specific features

#### General

- Number of Fibers : 2
- Fiber Type : Multi-Mode
- Max. Distance : 220 \ 550m
- TX \ RX Wavelength : 850nm \ 850nm
- TX Wavelength 850nm
- Data Rate : 1.25Gbps
- Connector : LC
- PHY Type 1000Base-SX
  
- Power Budget 75
- Operating Temperature 0 ~ 50°C

#### Electrical and Mechanical

- Input Voltage 3.3V DC
- Dimensions (W x D x H) 2.20 x 0.59 x 0.49 in. (59 x 15 x 12.4 mm)
- Weight (ounces, grams) 0.6 oz, 18g
- Storage Temperature -40 ~ 85° C
- Relative Humidity 5% ~ 95% (non-condensing)
- Reliability >50,000 hrs @ 25° C

#### Transmitter Electro-Optical Interface

- EMI EN 55022 CLASS A:2006+A1 : 2007 / EN61000-3-2:2006 / EN61000-3-3:1995+A1:2001+A2:2005
- Optical Output Power : Min. : -9.5dBm, Type : - , Max. : -4dBm
- Power Budget : 7.5
- Receiver : -17dBm

#### Environmental Specifications

- Operating Temperature : 0°C~+50°C
- Operating Relative Humidity : 5%~95% (non-condensing)
- Storage Temperature : -40°C~+85°C
- Storage Relative Humidity : 5%~95% (non-condensing)

#### Electrical Specification

- Input Voltage : 3.3V DC
- AS/NZS CISPR 22 : 2006

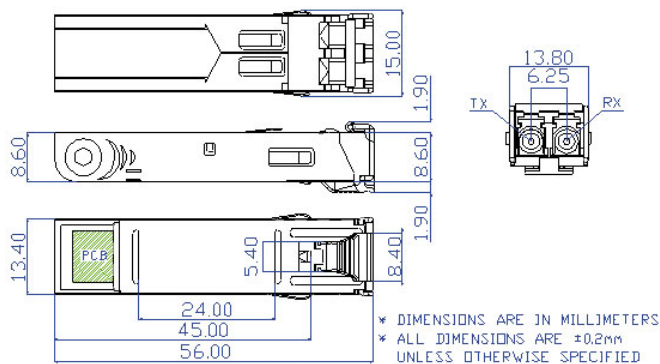
#### Reliability

- MTBF : > 50,000 hrs @ 25°C

#### Standards Conformance

- Standards Compliance : IEEE 802.3ab Fast Ethernet Standard
- Standards Compliance : Class 1 laser product complies with EN 60825-1

## Diagram



## Ordering Information

### S30-2MLC

SFP-Port Gigabit Mini GBIC Transceiver Module (850nm) - 220m / 550m - MM

### S35-2MLC

SFP-Port Gigabit Mini GBIC Transceiver Module (850nm) - 220m / 550m - MM - Wide Temp.

