



LED-W560

LCD/TFT VESA full swing Wall mount for screens up to 60" (150 cm)

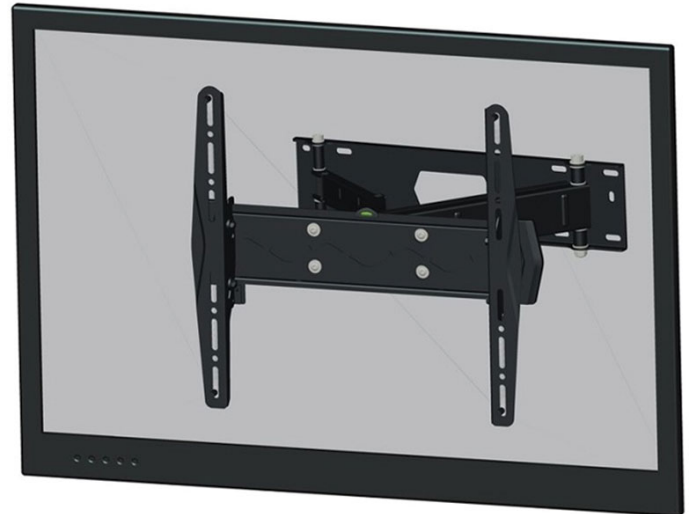
Overview

The LED-W560 is an LCD/TFT full swing wall mount which allows you to mount LCD screens up to 60" to a wall. This wall mount allows users to tilt and swivel your screen very easily.

The wall mount can easily be attached using the universal VESA hole pattern.

Suitable products

This accessory is ideal for use in combination with the UVM-3200 and UVM-4200.



Standard Features

- Supports monitors up to 60"
- VESA compatible
- Tilt 20°
- Swivel 110°

LED-W560

LCD/TFT VESA full swing Wall mount for screens up to 60" (150 cm)

Specifications

Product features

Color:	Black
Max. Weight:	50 kg (110lbs)
Screen size support:	32" - 60"
Distance to wall:	92-380 mm
Amt of mountable screens:	1
VESA minimum	75x75 mm
VESA maximum	600x400 mm

Supported products

UVM-3200
UVM-4200

Ordering Information

Part No.	Description
LED-W560	LCD/TFT VESA full swing Wall mount for screens up to 60" (150 cm)

