



## FPMA-C100

LCD/TFT VESA ceiling mount for screens up to 26" (65 cm)

### Overview

---

The FMPA-C100 is an LCD/TFT ceiling mount which allows you to mount an LCD screen up to 26" to a ceiling. This model allows users to swing, lift, tilt (90 degrees) and turn the LCD screen for maximum efficiency and comfort. The height adjustment is 79 to 129 cm.

The ceiling mount can easily be attached to the back of the screen using the universal VESA hole pattern 75x75, 100x100 or 200x100.

### Suitable products

---

This accessory is ideal for use in combination with the TVM-1700, TVM-1900, TVM-2200 or UVM-2600 range of monitors.



### Standard Features

---

- Supports monitors up to 26"
- VESA compatible
- Adjustable ceiling mount
- Tilt 180°
- Rotate 360°
- Swivel 180°

# FPMA-C100

LCD/TFT VESA ceiling mount for screens up to 26" (65 cm)

## Specifications

### Product features

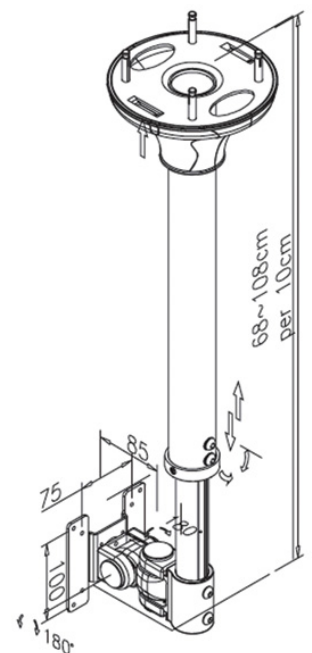
Color:	Black
Max. Weight:	12 kg (26lbs)
Screen size support:	10-26"
Height:	79 - 129 cm
Depth:	9 cm
Amt of mountable screens:	1
VESA minimum	75x75 mm
VESA maximum	200x100 mm

### Supported products

TVM-1700
TVM-1900
TVM-2200
UVM-2600

## Ordering Information

Part No.	Description
FPMA-C100	LCD/TFT VESA ceiling mount for screens up to 26" (65 cm)



As a company of innovation, UTC Fire & Security reserves the right to change product specifications without notice. For the latest product specifications, visit [UTC Fire & Security online](#) or contact your sales representative.



**UTC Fire & Security**

A United Technologies Company