



CHW300/IP66/24VAC

Camera Housing & Wall Bracket IP66 24 VAC PSU - 230 VAC Heater

This range of camera housings has been carefully designed not only to meet the harsh environmental requirements of today's CCTV systems, but also to offer a wide range of fixings and specifications.

These stylish housings have been thoughtfully designed so that they not only look good, but are also easy to install and service. They all feature the slide and hang servicing facility. The top of the housing, when unsecured, slides forward and then hangs below the housing body giving maximum accessibility to the camera and lens inside.

The 300 series are constructed from either Die-cast or extruded aluminium protected with an Epoxy paint coating to give durability. Within the 300 series of housings there is a cable management bracket option. This feature hides and protects the system cables where necessary, due to either aesthetic or anti-vandalism requirements.



Standard Features

- Aluminium or ABS construction
- IP66
- Cable management version
- Wall or ceiling mount
- Polyester paint finish
- Internal versions
- External versions with heaters and thermostats
- Optional internal 24 VAC camera power supply

CHW300/IP66/24VAC

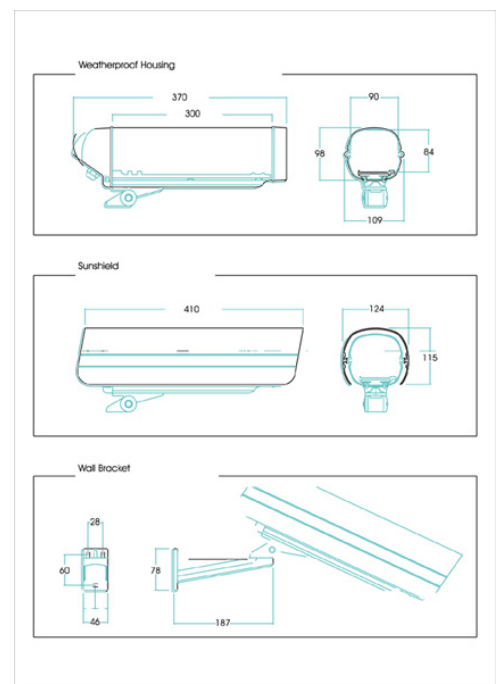
Camera Housing & Wall Bracket IP66 24 VAC PSU - 230 VAC Heater

Specifications

Material	Die-cast or extruded aluminium, epoxy paint coated
IP rating	IP66
Bracket options	Ceiling, wall or wall mount cable management version
Heater	220 VAC
PSU	220 VAC input / 24 VAC output
Heater	70 W
Useable internal length	300 mm
Dimensions (W x H x D)	124 x 121 x 410 mm

Ordering Information

Part No.	Description
CHW300/IP66/24VAC	Camera Housing & Wall Bracket IP66 24 VAC PSU - 230 VAC Heater



As a company of innovation, UTC Fire & Security reserves the right to change product specifications without notice. For the latest product specifications, visit UTC Fire & Security online or contact your sales representative.



UTC Fire & Security

A United Technologies Company