

TVT-5501

TruVision IP Turret Camera, H.265/H.264, 3MPX

Overview

The TruVision Series 5 line of IP bullet form factor cameras leverages the latest H.265 video compression technology to bring state-of-the-art, high-definition pictures to the mass video surveillance market. With camera resolutions of 3 or 8 megapixel, these IP cameras represent a flexible video surveillance device to meet any need. Equipped with advanced technology and signal processing capability, they effectively capture video under challenging conditions.

TruVision cameras utilize H.264 and/or H.265 compression technology with triple-streaming capability, making it easy to manage the camera's bandwidth usage. Motorized varifocal lens technology allows the user to remotely adjust the varifocal lens length and focus the camera with the touch of a button. Select models feature Low Light technology, which provides a clear image in low lighting conditions with a minimum of "grainy" interference. Recording to a local MicroSD card (not included) protects data in the event of network disruptions.

These cameras go above and beyond standard motion detection with enhanced alarm capabilities, including cross lines, intrusion, de-focus and face detection features. Each is user-configurable to best suit the installation environment. A Region of Interest function ensures specific portions of an image are given priority during instances of high network traffic or network degradation.

Location-specific functions include a Hallway View Mode to provide a portrait view of a hallway or corridor, a De-Fog Mode to help resolve images through fog or rain and Electronic Image Stabilization for installations subject to physical vibration or shaking.



Details

- Maximum Resolution: 2048 x 1536
- Maximum Real Time Resolution: 2048 x 1536 @ 25/30 fps (50/60 Hz)
- Designed to PSIA and ONVIF Profile G and S open standards
- H.265 and/or H.264 compression with triple-streaming functionality
- Edge recording up to 128GB SDHC card
- 1/2.8 CMOS image sensor
- Motorised IR Cut Filter
- Super Low Light: Color: 0.005 Lux @ (f1.2, AGC ON), 0 Lux IR on
- Fixed Lens 4mm
- Up to 30m IR illumination
- Up to 120dB Wide Dynamic Range
- On-board intelligence

TVT-5501

TruVision IP Turret Camera, H.265/H.264, 3MPX

Technical Specifications

Camera

Sensor Size	1/2.8"
Sensor Scan	Progressive
Sensor Type	CMOS
Max. Resolution	3 MPX
Total Pixels (H x V)	2048 x 1536
Effective Pixels (H x V)	1920 x 1080
Digital S/N ratio (dB)	50 dB (AGC Off)
Electronic Shutter	1/3s - 1/100,000s
Day/Night:	Motorized IR Cut Filter
IP Compression/Standard:	H.265/ H.264 / MJPEG
Maximum Resolution (@ FPS):	2048 x 1536 (25/30 fps)
Maximum Real Time Resolution (@ FPS):	2048 x 1536 (25/30 fps)
Multiple Streaming:	Triple Streams
Video Bit Rate:	32 Kbps to 16 Mbps, adjustable
Composite Output (BNC):	N/A

Lighting performance

Wide dynamic range (WDR)	True WDR
WDR	120 dB
Digital Noise Reduction	3D DNR
Day/Night	True Day/Night
Motorized IR Cut Filter	Yes
Color Sensitivity	0.009 lux @ (F1.6, AGC ON); 0 lux with IR
B/W Sensitivity	0 lux with IR on
InfraRed (IR)	Yes
IR Sensitivity	0 lux with IR
IR Range	Up to 30 m
Wide Dynamic Range	WDR

Encoding

Video Streams	3
Video Compression Main Stream	H.264 SVC, H.265
Video Compression Sub Stream	H.264, M-JPEG
Sub Stream Supported Resolutions	176 x 144 (QCIF), 352 x 288 (CIF), 704 x 576 (4CIF)
Max. Resolution @ fps	1920 x 1080 @ 50 fps
Video Bit Rate	32kbps to 16Mbps

Lens

Focal length	4mm
F-stop	f1.6
Auto-iris	Yes
Lens Type	Fixed

Network

Supported Network Protocols	802.1x, DDNS, DHCP, DNS, FTP, HTTP, HTTPS, IPv4, IPv6, NTP, PPPoE, Qos, RTP, RTSP, SMTP, SNMP, TCP/IP, UPnP
Supported Video Standards	CGI, ONVIF, PSIA
Network Protocols:	TCP/IP, HTTP, DHCP, DNS, DDNS, ezDDNS, RTP, RTSP, PPPoE, SMTP, NTP, SNMP, HTTPS, FTP, 802.1x, Qos, IPv6, ONVIF, PSIA, CGI
PoE IEEE:	802.3af
Standard & Integration:	ONVIF Profile (G,S), PSIA, CGI

Audio

Audio In	N/A
Audio Out	N/A

Alarm I/O

Alarm Outputs	N/A
Alarm I/O Connection	Terminal Type

Storage

Max Storage Capacity	128GB
Local Storage Support	Yes
Local Storage Type	Built-in Micro SD/SDHC/SDXC card slot

Video intelligence

Basic Alarm Detection	Motion, Privacy Masking, Tamper
Video Analytics	Advanced motion detection, Cross line, Face detection, Intrusion detection, Object left behind, Object removal

General

Technology	IP
Display Modes	Hallway View, Mirror, ROI (Region Of Interest)
Video Standard	NTSC, PAL
Software Compatibility	OnGuard, Prism, TruVision Navigator, TVRmobile, Web Browser

Electrical

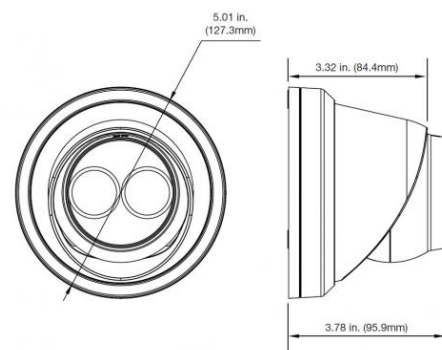
Power supply type	PoE in
Power supply value	12 VDC
Power consumption	6 W
Current consumption	0.56 A

Physical

Form Factor	Turret
Physical dimensions	96mm x 127 mm
Net weight	620 g
Colour	Grey

TVT-5501

TruVision IP Turret Camera, H.265/H.264, 3MPX



As a company of innovation, UTC Technologies reserves the right to change product specifications without notice. For the latest product specifications, visit UTC Technologies online or contact your sales representative.