

TVP-WM-PM

TruVision PTZ dome pole mount adapter

Overview

The TVP-WM-PM is a pole mount accessory to be used in combination with the TVP-WMB or GEA-102. This pole mount accessory allows for a PTZ camera to be mounted onto a pole and can provide the user with a greater field of view when observing large areas.



Details

- Pole mount adapter for TruVision PTZ brackets
- Compatible with TVP-WMB or GEA-102

TVP-WM-PM

TruVision PTZ dome pole mount adapter

Technical Specifications

General

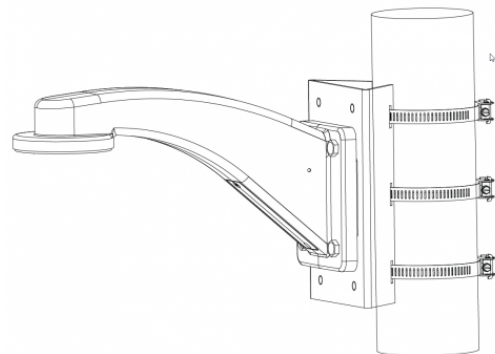
Bracket type	Camera
Bracket mounting part	Mounting adapter
Camera support type	TruVision bracket
Mount type	Pole mount

Physical

Physical dimensions	194 × 126 × 46 mm 7.64 × 5.06 × 1.81 in.
Net weight	1178 g 2.6 lb.

Compatible products

Wall mount brackets	TVP-WMB, GEA-102
---------------------	------------------



As a company of innovation, UTC Technologies reserves the right to change product specifications without notice. For the latest product specifications, visit UTC Technologies online or contact your sales representative.