

# TVP-CWM

TruVision Compact PTZ Indoor Wall Mount bracket for use with TVP-5101

## Overview

---

This Compact PTZ Indoor Wall Mount allows for wall mounting of the TruVision Compact PTZ. It is suitable for both indoor outdoor use only.

## Used for the following cameras:

---

TruVision TVP-5103



## Details

---

- For use with TVP-5101
- For wall mount installations
- Allows for cable management

# TVP-CWM

TruVision Compact PTZ Indoor Wall Mount bracket for use with TVP-5101

## Technical Specifications

### General

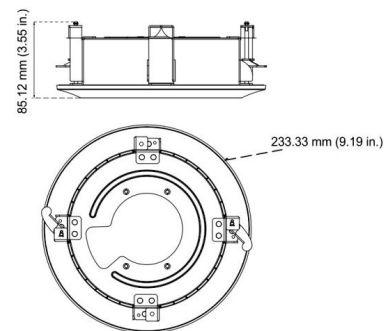
Bracket type	Camera
Camera support type	PTZ camera
Bracket mounting part	Mounting bracket
Mount type	Wall mount

### Physical

Material	Plastic
----------	---------

### TVP-CWM

Dimensions:	126 x 80 x 224 mm
Weight:	450g
Color:	Grey color (Pantone 428c)



As a company of innovation, UTC Fire & Security reserves the right to change product specifications without notice. For the latest product specifications, visit UTC Fire & Security online or contact your sales representative.

13 July 2018 - 10:23 AM