

TVP-CCBWM

TruVision Compact PTZ Cup Base for use with TVP-5103

Overview

This Compact PTZ Cup Base allows for wall mounting of the TruVision Compact PTZ. It is suitable for both indoor and outdoor use.

Used for the following cameras:

TruVision TVP-5103



Details

- For use with TVP-5103
- For wall mount installations
- Allows for cable management
- Aluminum alloy

TVP-CCBWM

TruVision Compact PTZ Cup Base for use with TVP-5103

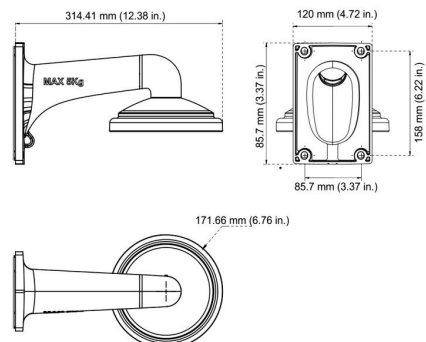
Technical Specifications

General

Bracket type	Camera
Camera support type	PTZ camera
Bracket mounting part	Cup base, Mounting bracket

TVP-CCBWM

Dimensions:	158 x 120 x 314 mm
Weight:	1120g
Color:	Grey color (Pantone 428c)



As a company of innovation, UTC Fire & Security reserves the right to change product specifications without notice. For the latest product specifications, visit UTC Fire & Security online or contact your sales representative.

13 July 2018 - 10:23 AM