

TVP-5105

TruVision 2 MPX IP PTZ camera, Outdoor, Pendant/Wall Mount, Super Low Light, True D/N, WDR, 200m IR, H.265, H.264, ONVIF/PSIA, 36X Optical zoom, SDHC Card slot, Hi-PoE/24VAC

Overview

The TruVision TVP-5105 IR PTZ provides a robust and reliable solution to various installation conditions. Its super low light performance provides high quality color images in challenging conditions while its smart IR functionality ensures optimal use of IR illumination when in black & white mode. The camera's 2 megapixel resolution combined with excellent low light capabilities ensures you capture the required level of detail at all times.

The camera is fully programmable, with up to 300 presets along with 8 patrol tours (32 presets per tour).

A 24-zone privacy mask feature allows the camera to block out sensitive areas. In addition, the variety of intelligence features adds substantial value and enhanced performance to any video system.

The PTZ provides compatibility with previous UTC mounting brackets as well as recording systems to ensure backward compatibility for easy service and installation.

Technology

The camera features H.265 compression to optimise its bandwidth and storage requirements. At the same time, H.264 support ensures the camera can easily be connected to legacy installations where needed. ONVIF, PSIA and CGI command sets ensure that this camera can also be easily connected to virtually any video surveillance system.



Details

- 2 MPX resolution for optimal details
- H.265 compression
- 36x optical zoom
- Smart IR illumination - up to 200m
- Super low light performance
- IK10 & IP66 rating for rugged in- & outdoor use
- Intelligent video analytics
- Wall mount accessories available
- Compatible with brackets: TVP-WMB wall mount, TVP-WM-CM corner mount, TVP-WM-PM pole mount

TVP-5105

TruVision 2 MPX IP PTZ camera, Outdoor, Pendant/Wall Mount, Super Low Light, True D/N, WDR, 200m IR, H.265, H.264, ONVIF/PSIA, 36X Optical zoom, SDHC Card slot, Hi-PoE/24VAC

Technical Specifications

Camera

Sensor size	1/1.9"
Max. resolution	2 MPX
Sensor scan	Progressive
Sensor type	CMOS
Effective pixels (H x V)	1920 x 1080 (30fps / 25fps)
Digital S/N ratio	>52 dB
Shutter time	50Hz: 1 to 1/30,000s; 60Hz: 1 to 1/30,000s

Lighting performance

WDR	120 dB
Digital noise reduction	3DNR
Day/night	True Day/Night
Motorized IR cut filter	Yes
Color sensitivity	0.002 lux @ f1.5, AGC on
B/W sensitivity	0.0002 lux
Infrared (IR)	Yes
IR range	200 m (656 ft.) automatically adjusted depending on zoom ration)
IR wavelength	850 nm

Encoding

Video streams	3
Video compression main stream	H.264, H.265
Video compression sub stream	H.264, H.265, M-JPEG
Main stream supported resolutions	1280 x 720 (XVGA), 1280 x 960 (720p), 1920 x 1080 (1080p)
Sub stream supported resolutions	352 x 288 (CIF), 640 x 480 (VGA), 704 x 576 (4CIF)
Max. resolution @ fps	1080p @ 25 fps
3rd Stream	1920 x 1080, 1280 x 960, 1280 x 720, 704 x 576, 352 x 288, 640 x 480

Lens

Lens type	Motorized
Focal length	5.7 to 205.2 mm
F-stop	f1.5 to f4.5
Auto focus	Yes
Motorized zoom	Yes

Pan/tilt/zoom

Pan	360° endless
Tilt	-20 to 90°
Auto flip	Yes
Optical zoom	36X
Digital zoom	16X
Preset positions	300
Preset tours	8 with 32 presets per tour
Shadow tours	4 with maximum 10 minutes per tour

Network

Supported video standards	CGI, ONVIF Profile G, ONVIF Profile S, PSIA
Supported network protocols	802.1x, DDNS, DHCP, DNS, ezDDNS, FTP, HTTP, HTTPS, ICMP, IGMP, IPv4, IPv6, NTP, PPPoE, Qos, RTP, RTSP, SMTP, SNMP, TCP, UDP, UPnP

Audio

Audio compression	G.711A, G.711U, G.722, G.726, MP2L2
Audio in	1 Mic in / Line in interface, line input: 2-2.4V[p-p]; output impedance: 1K Ω , \pm 10%
Audio out	1 Audio output interface, line level, impedance: 600 Ω

Alarm I/O

Alarm inputs	7
Alarm outputs	2

Storage

Local storage type	Micro SD/SDHC/SDXC slot (card not included)
Max. storage capacity	up to 128GB

Video intelligence

Video analytics	Audio exception detection, Face detection, Intelligent tracking, Intrusion detection, Line crossing detection, Object removal detection, Region entrance detection, Region exiting detection, Smart IR, Unattended baggage detection
-----------------	--

General

OSD	Text Overlay
Privacy masking	24 privacy masks programmable; optional multiple colors and mosaics
Video output	BNC Composite PAL / NTSC

Electrical

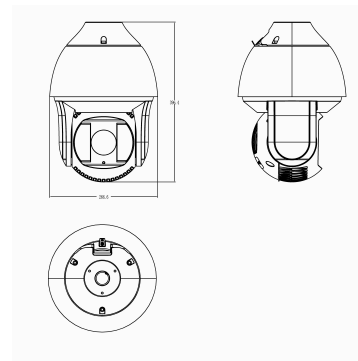
Operating voltage	24 VAC Hi-PoE
Power consumption	60W
Current consumption	Max. 3A

Physical

Physical dimensions	266 x 396 mm 10.5 x 15.61 in.
Net weight	8 kg 17.64 lbs.
Form Factor	PTZ
Mount	Pendant mount, Wall mount

TVP-5105

TruVision 2 MPX IP PTZ camera, Outdoor, Pendant/Wall Mount, Super Low Light, True D/N, WDR, 200m IR, H.265, H.264, ONVIF/PSIA, 36X Optical zoom, SDHC Card slot, Hi-PoE/24VAC



As a company of innovation, UTC Fire & Security reserves the right to change product specifications without notice. For the latest product specifications, visit UTC Fire & Security online or contact your sales representative.

12 July 2018 - 4:34 PM