

TVP-5102

TruVision compact 2 MPX IP PTZ camera, Outdoor, Pendant/Wall Mount, True D/N, WDR, IR Cut, 150m IR, H.265, H.264, ONVIF/PSIA, 20X Optical zoom, SDHC Card slot, PoE+/24VAC

Overview

The TVP-5102 compact PTZ is a compact size pan tilt zoom camera for use in both indoor and outdoor installations. The camera's 2 megapixel resolution combined with excellent low light capabilities ensures you capture the required level of detail at all times.

The camera is fully programmable, with up to 300 presets along with 8 patrol tours (32 presets per tour).

A 8-zone privacy mask feature allows these cameras to block out sensitive areas. In addition, the variety of intelligence features and analytics adds substantial value and enhanced performance to any video system.

Technology

The camera features H.265 compression to optimise its bandwidth and storage requirements. At the same time, H.264 support ensures the camera can easily be connected to legacy installations where needed. ONVIF, PSIA and CGI command sets ensure that this camera can also be easily connected to virtually any video surveillance system.



Details

- 2 MPX resolution for optimal details
- H.265 compression
- Compact design for discreet indoor & outdoor installation
- 20x optical zoom
- Built-in IR illumination, up to 150 m
- Operates in wide temperature range from -30 °C to +65°C
- Includes intelligent video analytics
- Fits range of TruVision PTZ accessories, including wall and pendant mount
- Compatible with brackets: TVP-WMB wall mount, TVP-WM-PM pole mount, TVP-WM-CM corner mount

TVP-5102

TruVision compact 2 MPX IP PTZ camera, Outdoor, Pendant/Wall Mount, True D/N, WDR, IR Cut, 150m IR, H.265, H.264, ONVIF/PSIA, 20X Optical zoom, SDHC Card slot, PoE+/24VAC

Technical Specifications

Camera

Sensor size	1/2.8"
Max. resolution	2 MPX
Sensor scan	Progressive
Sensor type	CMOS
Effective pixels (H x V)	1920 x 1080
Digital S/N ratio	>50 dB (AGC Off)
Shutter time	50Hz: 1 to 1/30,000s; 60Hz: 1 to 1/30,000s

Lighting performance

WDR type	True WDR
WDR	120 dB
Digital noise reduction	3D-NR
Day/night	True Day/Night
Motorized IR cut filter	Yes
Color sensitivity	0.05 lux @ f1.6, AGC On
B/W sensitivity	0.01 lux (0 lux with IR)
Infrared (IR)	Yes
IR range	150 m automatically adjusted depending on zoom ratio
IR wavelength	850 nm

Encoding

Video streams	3
Video compression main stream	H.264, H.265
Video compression sub stream	H.264, H.265, M-JPEG
Main stream supported resolutions	1280 x 720 (XVGA), 1280 x 960 (720p), 1920 x 1080 (1080p)
Sub stream supported resolutions	352 x 288 (CIF), 640 x 480 (VGA), 704 x 576 (4CIF)

Lens

Lens type	Varifocal
Focal length	4.7 to 940 mm
F-stop	f1.6 to f3.5
Auto iris	Yes
Auto focus	Yes
Motorized zoom	Yes

Pan/tilt/zoom

Pan	360° endless
Tilt	From -15° to 90°
Endless pan	Yes
Auto flip	Yes
Optical zoom	20X
Digital zoom	16X
Preset positions	300
Preset tours	8 patrols, up to 32 presets per patrol
Shadow tours	4 patterns, with the recording time not less than 10 minutes per platform

Network

Supported video standards	CGI, ISAPI, ONVIF Profile G, ONVIF Profile S, PSIA
Supported network protocols	802.1x, DDNS, DHCP, DNS, ezDDNS, FTP, HTTP, HTTPS, IGMP, IPv4, IPv6, NTP, PPPoE, Qos, RTP, RTSP, SMTP, SNMP, TCP/IP, UDP, UPnP

Audio

Audio compression	G.711A, G.711U, G.722, G.726, MP2L2
Audio in	1 Mic in / Line in interface, line input: 2-2.4V[p-p]; output impedance: 1K Ω , \pm 10%
Audio out	1 Audio output interface, line level, impedance: 600 Ω

Storage

Local storage support	Yes
Local storage type	Micro SD/SDHC/SDXC (card not included)
Max. storage capacity	Up to 128 GB

Video intelligence

Basic alarm detection	Motion, Privacy Masking, Tamper
Video analytics	Audio exception detection, Intrusion detection, Line crossing detection

General

Technology	IP
Video standard	NTSC, PAL
OSD	Text Overlay
Display modes	ROI (Region Of Interest)
Privacy masking	8 privacy masks programmable; optional multiple colors and mosaics
Video output	BNC Composite PAL 1.0 Vp-p @ 75 Ohm

Electrical

Operating voltage	24 VAC Hi-PoE
Power consumption	32 W
Current consumption	Max. 2.2 A

Physical

Physical dimensions	185 x 330 mm 7.28 x 2.99 in.
Net weight	4 kg 8.82 lbs.
Colour	Grey (Pantone 428c)
Form Factor	Dome, PTZ

Environmental

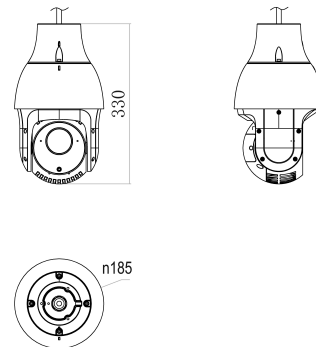
Operating temperature	-30 to 65 °C -22 to 149 °F
Relative humidity	\leq 90% noncondensing
Environment	Outdoor
IP rating	IP66

Standards & regulation

Compliance	CE, FCC, REACH, RoHS, UL, WEEE
------------	--------------------------------

TVP-5102

TruVision compact 2 MPX IP PTZ camera, Outdoor, Pendant/Wall Mount, True D/N, WDR, IR Cut, 150m IR, H.265, H.264, ONVIF/PSIA, 20X Optical zoom, SDHC Card slot, PoE+/24VAC



As a company of innovation, UTC Fire & Security reserves the right to change product specifications without notice. For the latest product specifications, visit UTC Fire & Security online or contact your sales representative.

10 July 2018 - 9:28 AM