

TVB-8101

TruVision 1080p Wifi Bullet IR camera

Overview

The TruVision IP wifi bullet IR camera by Interlogix brings high-definition 1080p images to the security segment at a low cost. The wifi spec is based on the wifi standards of IEE 802.11 b/g/n and operates in the 2.4 GHz range. Transmission rates of up to 150Mbps are supported, and wireless security is achieved via 64/128-bit WEP, WPA/WPA2, WPA-PSK/WPA2-PSK, and WPS wireless encryption standards. The wifi bullet IR camera also adheres to Onvif Profile S open communications standards as well as support CGI command set for simple integration into standard IP systems.



Details

- 1080p resolution
- H.264 compression technology with dual-streaming capability accommodates multiple settings
- DWDR and/or real-time video streaming up to 1080p resolution to capture every detail
- True day/night functionality and infrared illuminator for capturing images in various lighting scenarios
- Up to 66 ft. (20m) IR range – with on/off settings
- Recorded clips stored on board using a micro SD/SDXC card (up to 128GB)
- Supports IEEE 802.11b/g/n Wi-Fi standards
- Frequency range 2.4GHz
- Encryption security support for 64/128-bit WEP, WPA/WPA2, WPA-PSK/WPA2-PSK and WPS wireless encryption standards

TVB-8101

TruVision 1080p Wifi Bullet IR camera

Technical Specifications

Camera

Sensor Size	1/2.8"
Max. Resolution	1080p
Total Pixels (H x V)	1920 x 1080
Digital S/N ratio (dB)	50 dB (AGC off)
Electronic Shutter	60 Hz: 1/3s ~ 1/100,000s, 50 Hz: 1/3s ~ 1/100,000

Lighting performance

Wide dynamic range (WDR)	Digital WDR
WDR	85 dB
Digital Noise Reduction	3D-NR
Day/Night	True Day/Night
Motorized IR Cut Filter	Yes
Color Sensitivity	0.01 lux @ f1.2, AGC on
B/W Sensitivity	0 Lux, IR on
InfraRed (IR)	Yes
IR Range	Non-visible IR LED within 20 m
IR Wavelength (nm)	850 nm

Encoding

Video Compression Main Stream	H.264, MJPEG
Video Compression Sub Stream	H.264, M-JPEG
Max. Resolution @ fps	1920 x 1080 @ 30fps (60Hz), 1920 x 1080 @ 25 fps (50Hz)
Video Bit Rate	32 Kbps to 8 Mbps

Lens

Focal length	4.0 mm @ f2.0
Auto-iris	No
Auto-focus	No
Motorized Zoom	No
Lens Type	Fixed

Network

Supported Network Protocols	DHCP, DNS, FTP, HTTP, HTTPS, IPv6, NTP, Qos, RTP, RTSP, SMTP, TCP/IP, UPnP
Supported Video Standards	CGI, ONVIF, PSIA

Storage

Max Storage Capacity	Up to 128 GB
Local Storage Support	Yes
Local Storage Type	Micro SD/SDXC

Video intelligence

Basic Alarm Detection	Motion, Privacy Masking, Tamper
Video Analytics	Cross line, Intrusion detection

General

Technology	IP
Display Modes	Hallway View, Mirror, ROI (Region Of Interest)
OSD	Text Overlay
Video Standard	NTSC, PAL

Electrical

Power supply type	12 VDC
Power consumption	5.8W
Current consumption	490mA (Max.)
Operating voltage	12VDC, PoE (IEEE 8.2-3-af)

Physical

Form Factor	Bullet
Mount	Pendant mount, Wall mount
Physical dimensions	2.8 x 6.1 x 2.4 in. 70 x 157 x 62mm
Net weight	1.1 lbs 500g
Colour	Grey

Environmental

Operating temperature	-22°~140°F -30°~60°C
Storage temperature	-4°~158°F -20°~70°C
Vandal proof	No
Environment	Indoor / Outdoor
IP-rating	IP66

Standards & regulation

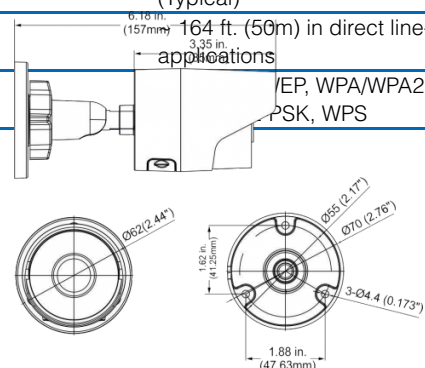
Compliance	CE, FCC, RCM, REACH, RoHS, UL, WEEE
------------	-------------------------------------

Wireless

Wifi standards	IEEE802.11b, 802.11g, 802.11n
Frequency range	2.4 GHz ~ 2.4835 GHz (Ch. 1 ~ 11)
Channel bandwidth	20/40MHz Support
Protocols	802.11b: CCK, QPSK, BPSK; 802.11g/n: OFDM
Transmit output power	"11b: 17±1.5dBm @ 11Mbps; 11g: 15±1.5dBm 54Mbps; 11n: 14±1.5dBm"
Transfer rates	11b: -90dBm @ 11Mbps (Typical); 11g: -75dBm @ 54Mbps (Typical); 11n: -74dBm (Typical)

Wifi range 164 ft. (50m) in direct line-of-sight applications

Security WEP, WPA/WPA2, WPA-PSK, WPS



As a company of innovation, UTC Technologies reserves the right to change product specifications without notice. For the latest product specifications, visit UTC Technologies online or contact your sales representative.



Climate | Controls | Security