

# TVB-2410

TruVision 5 MPX HD-TVI Motorized bullet camera, 2.8-12mm lens - PAL

## Overview

---

TruVision HD-TVI Bullet Cameras from Interlogix deliver cost-effective surveillance with 5 MPx resolution HD-TVI technology over existing coaxial cable. Ideal for new or existing projects, HD-TVI bullet cameras are quick and easy to install and can help users stay within budget constraints without compromising security needs. HD-TVI Bullet Cameras offer a familiar form-factor that features a pre-installed wall mount with cable management and is IP rated for outdoor installation. With the ability to see in low-light conditions, HD-TVI Bullet Cameras provide color images by day and black-and-white images in night-time applications; in conjunction with smart IR illumination. These cameras are specifically designed for use with TruVision HD-TVI DVRs that support 5MPx resolutions. Support for 5 MPx resolution is limited to specific BNC ports, based on the recorder. Refer to the TruVision HD-TVI recorder guidelines for more details. Please note that first generation TruVision HD-TVI DVRs will not support these cameras.



## Details

---

- 5MPx HD-TVI resolution
- Motorized 2.8-12mm Varifocal lens
- HD-TVI technology for transmitting high quality video over existing coax cable
- TruVision over-the-coax support for efficient remote access to local camera OSD menu and lens configuration
- Digital Wide Dynamic Range (DWDR)
- Built-in IR-illuminators to cover low light scenes up to 50m, including Smart IR function to optimize IR illumination
- IP67 rating for optimal outdoor use
- Multiple mounting options, including camera cable bracket

# TVB-2410

TruVision 5 MPX HD-TVI Motorized bullet camera, 2.8-12mm lens - PAL

## Technical Specifications

### Camera

Sensor Scan	Progressive
Sensor Type	CMOS
Max. Resolution	5 MPX
Total Pixels (H x V)	2592 x 1944
Digital S/N ratio (dB)	>62dB
Electronic Shutter	NTSC: 1/30 s to 1/50,000 s; PAL: 1/25 s to 1/50,000 s

### Lighting performance

Wide dynamic range (WDR)	Digital WDR
Day/Night	True Day/Night
Motorized IR Cut Filter	Yes
B/W Sensitivity	0.01 lux @ f1.2 (AGC On); 0 lux with IR
InfraRed (IR)	Yes
IR Range	40m

### Encoding

Main Stream Supported Resolutions	1920 x 1080 (1080p), 2592 x 1944
Max. Resolution @ fps	2560 (H) x 1944 (V) @ 12.5 fps

### Lens

Focal length	2.8-12mm
Auto-focus	Yes
Motorized Zoom	Yes
Lens Type	Motorized

### Video intelligence

Video Analytics	Defect pixel correction, Smart IR
-----------------	-----------------------------------

### General

Technology	HD-TVI analog
Display Modes	Mirror
Video Output	BNC Composite
Video Standard	PAL

### Electrical

Power supply type	12 VDC
Power consumption	12VDC: 9.5W (Max.) 24VAC: 9.5W (Max.)
Current consumption	12VDC: 790mA 24VAC: 660mA
Operating voltage	12VDC 24VAC

### Physical

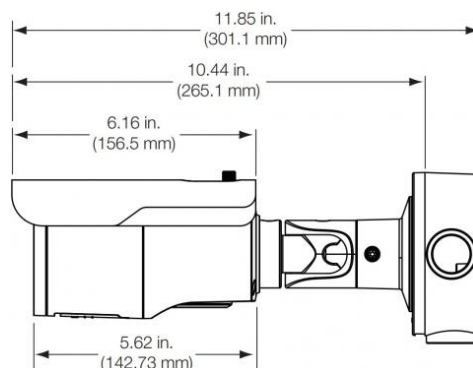
Form Factor	Bullet
Mount	Wall mount
Physical dimensions	3.7 x 10.45 in. (94.7 x 265.4mm), without back box 3.7 x 11.56 in. (94.7 x 293.7 mm), with back box
Net weight	1.98 lbs (900g), without back box 2.39 lbs (1083.2), with back box
Colour	Grey (Pantone 428c)

### Environmental

Operating temperature	-40°~60° -40°F~140°F
Relative humidity	<90% (non-condensing)
Vandal proof	No
Environment	Indoor, Outdoor
IP-rating	IP67
Cold Start Temperature	-40°~60° -40°F~140°F

### Standards & regulation

Compliance	CE, FCC, REACH, RoHS, UL, WEEE
------------	--------------------------------



As a company of innovation, UTC Technologies reserves the right to change product specifications without notice. For the latest product specifications, visit UTC Technologies online or contact your sales representative.