

S25-1MLC-B-2

SFP-Port 100BASE-FX Fiber GBIC - 2Km - MM

Overview

The UTC Fire & Security transceiver module is specifically designed to accommodate high-performance optical fiber, including integrated duplex data link over single mode. Compliant with the SFP Multisource Agreement (MSA), these transceiver modules feature hot-plug capability for easy installation without interrupting host equipment operating online. The SFP transceiver can install into UTC Fire & Security switch products with an 100Base-FX interface.



Details

- SFP multi-source agreement compliant
- Max data rate 155 Mbits/s
- Class 1 laser safety standard IEC 60825 compliant
- 1 fiber multimode
- LC connector
- Low power dissipation
- Plug-and-play capability for easy installation
- Hot Pluggable
- -40°C to +75°C operation temperature
- TTL signal detect indicator
- Single power supply 3.3V
- Comply with the IEEE 802.3ab

S25-1MLC-B-2

SFP-Port 100BASE-FX Fiber GBIC - 2Km - MM

Technical Specifications

General

Category	SFP
Maximum distance	2 km
Port type	Multi Mode
No. of fibers	1
Port speed	100 Mbps
Wavelength	1310 nm, 1550 nm
Connector :	LC
PHY Type :	IEEE 802.3u 100BASE-FX

Environmental

Operating temperature	-40 to +75°C
Storage temperature	-40 to +80°C
Relative humidity	5% to 95% (non-condensing)

Standards & regulations

Compliance	CE, REACH, RoHS 2
------------	-------------------

Electrical and Mechanical

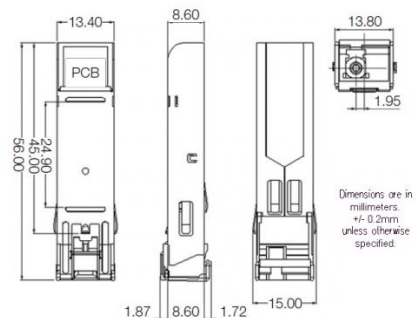
Input Voltage	3.3V DC
Dimensions (W x D x H)	2.20 x 0.59 x 0.49 in. (59 x 15 x 12.4 mm)
Weight (ounces, grams)	0.6 oz, 18g
Reliability	>50,000 hrs @ 25° C

Electrical Specification

Input Voltage :	3.3V DC
AS/NZS CISPR 22 :	2006

Standards Conformance

Standards Compliance :	IEEE 802.3ab Fast Ethernet Standard
Standards Compliance :	Class 1 laser product complies with EN 60825-1



As a company of innovation, UTC Technologies reserves the right to change product specifications without notice. For the latest product specifications, visit UTC Technologies online or contact your sales representative.