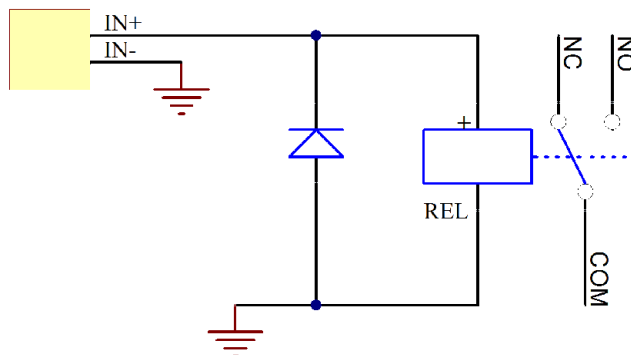


CODE: **AWZ 622** v1.0/l
NAME: **P1 Relay module**

EN



DESCRIPTION

The P1 (AWZ 622) relay module is to be used in low-voltage installations. It is intended for controlling and status indication in e.g. alarm or access control systems. It may be used to control devices of high power consumption via OC outputs of alarm systems. Moreover, it ensures galvanic isolation of signals, power sources relating to the outputs of the module.

SPECIFICATIONS

Supply voltage module	12V (10VDC÷14VDC)
Current consumption	20 mA max.
Number of relays	1
Voltage of the relay's contacts	30VDC / 50VAC max.
Current of the relay's contacts	1A max.
Operating conditions	2nd environmental class -10°C÷ 50°C
Dimensions	30 x 27 x 18 (WxHxD)
Net/gross weight	0,02 / 0,03 [kg]
Installation	Installation tape
Declarations, warranty	CE, 2 year from the production date
Notes	leads on connections: Ø 0,41±1,63 (AWG 26-14), (AWG 26-14), 0,2±1mm ²