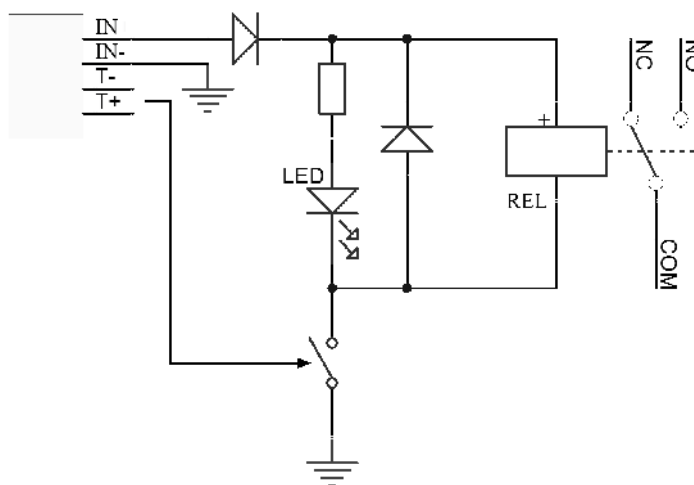
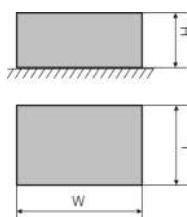


CODE: **AWZ611** v1.0/l  
NAME: **MP4 Relay module**

EN



## DESCRIPTION

The MP4 (AWZ611) relay module is to be used in low-voltage installations. It is intended for controlling and status indication in e.g. alarm or access control systems. It may be used to control devices of high power consumption via OC outputs of alarm systems. Moreover, it ensures galvanic isolation of signals, power sources relating to the outputs of the module. It is equipped T- inputs used to trip relays low condition.

## SPECIFICATIONS

<b>Voltage of the relay's coil</b>	12V (10VDC÷14VDC)
<b>Power consumption</b>	180 mA max.
<b>Number of relays</b>	4
<b>Voltage of the relay's contacts</b>	30VDC / 50VAC max.
<b>Tripping voltage T</b>	T- 0V ÷ (Unom. - 5V)
<b>Current of the relay's contacts</b>	2A max.
<b>Operating conditions</b>	II environmental class, -10°C ÷ 50°C
<b>Dimensions</b>	120 x 22 x 43 (WxHxD)
<b>Net/gross weight</b>	0,08 / 0,11 [kg]
<b>Installation:</b>	installation tape or installation bolt x 2
<b>Declarations, warranty</b>	CE, 2 year from the production date
<b>Notes</b>	leads on connections: Ø 0,41÷1,63 (AWG 26-14), 0,2÷1mm <sup>2</sup>