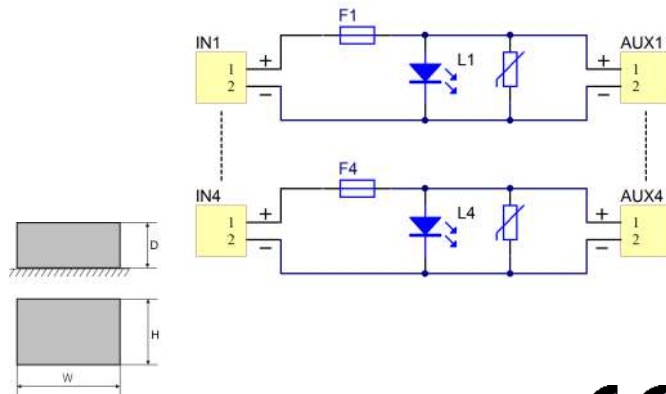
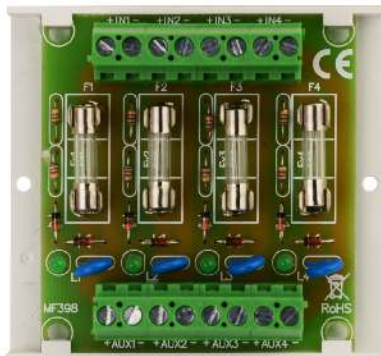


CODE: **AWZ607** v.1.0/II
NAME: **LB4P/4x2A/2,5/FTA fuse module**

EN**



DESCRIPTION

The **LB4P/4x2A/2,5/FTA** fuse module is designed for power distribution in low-voltage systems requiring voltage of **10V±30V DC** or **10V±24V AC** (e.g. buffer power supply, transformer etc.). It has 4 independent, galvanically isolated power paths protected with 2A fuses. Fuse activation is indicated by switching off the appropriate LED: L1 for AUX1, L2 for AUX2 etc. Additionally, each output is protected with a varistor protecting the power supply and receivers against surges in the supply system. The module is adapted for connection of cables with a maximum cross-section of **2,5mm²**.

SPECIFICATIONS

Supply voltage	10V±30 V DC (-2%/+2%) 10V±24 V AC (-2%/+2%)
Output voltage	$U_{AUX} = U_{IN}$ (equal to supply voltage)
Current consumption	5 mA± 30 mA @ $U_{in}=10 \div 30V$ DC
Number of power inputs	4 (IN terminals) - max. 2,5mm² cable
Number of power outputs	4 (AUX terminals) - max. 2,5mm² cable
Protections against:	- 4 x 2A - 4 x 2A - varistors
LED indication	green LED L1 ÷ L4 – status of the AUX1÷AUX4 outputs
F1 ÷ F4 fuses	F 2A
Operating conditions	II environmental class, -10°C ÷ 50°C
Dimensions	75 x 70 x 26 (WxHxD) [mm] (+/-2)
Installation	A mounting panel with an adhesive tape, mounting screws x 2 (holes Ø 3mm)
Connectors:	
- power supply input/output	Φ0,51±2,05 (AWG 24-12) 0,5 ÷ 2,5mm ²
Net/gross weight	0,07kg / 0,13kg
Declarations, warranty	CE, RoHS, 2 year from the production date