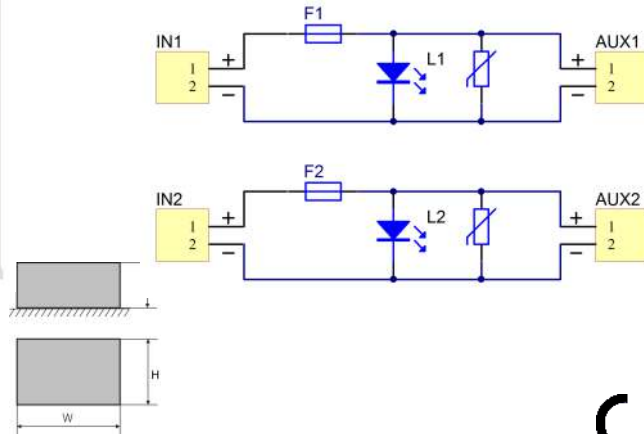


CODE: **AWZ606** v.1.0/II  
NAME: **LB2P/2x5A/2.5/FTA fuse module**

EN\*\*



### DESCRIPTION

The **LB2P/2x5A/2.5/FTA** fuse module is designed for power distribution in low-voltage systems requiring voltage of **10V±30V DC** or **10V±24V AC** (e.g. buffer power supply, transformer etc.). It has 2 independent, galvanically isolated power paths protected with 5A fuses. Fuse activation is indicated by switching off the appropriate LED: L1 for AUX1, L2 for AUX2 etc. Additionally, each output is protected with a varistor protecting the power supply and receivers against surges in the supply system. The module is adapted for connection of cables with a maximum cross-section of **2,5mm<sup>2</sup>**.

### SPECIFICATIONS

<b>Supply voltage</b>	10V±30 V DC (-2%/+2%) 10V±24 V AC (-2%/+2%)
<b>Output voltage</b>	$U_{AUX} = U_{IN}$ (equal to supply voltage)
<b>Current consumption</b>	3mA± 15mA @ $U_{in}=10 \div 30V$ DC
<b>Number of power inputs</b>	2 (IN terminals) - max. <b>2,5mm<sup>2</sup></b> cable
<b>Number of power outputs</b>	2 (AUX terminals) - max. <b>2,5mm<sup>2</sup></b> cable
<b>Protections against:</b>	- 2 x 5A - 2 x 5A - varistors
<b>LED indication</b>	green LED <b>L1 ÷ L2</b> – status of the AUX1÷AUX2 outputs
<b>F1 ÷ F2 fuses</b>	F 5A
<b>Operating conditions</b>	II environmental class, -10°C ÷ 50°C
<b>Dimensions</b>	75 x 53 x 40 (WxHxD) [mm] (+/-2)
<b>Installation</b>	A mounting panel with an adhesive tape, mounting screws x 2 (holes Ø 3mm)
<b>Connectors:</b>	
- power supply input/output	Φ0,51±2,05 (AWG 24-12) 0,5 ÷ 2,5mm <sup>2</sup>
<b>Net/gross weight</b>	0,06kg / 0,11kg
<b>Declarations, warranty</b>	CE, RoHS, 2 year from the production date