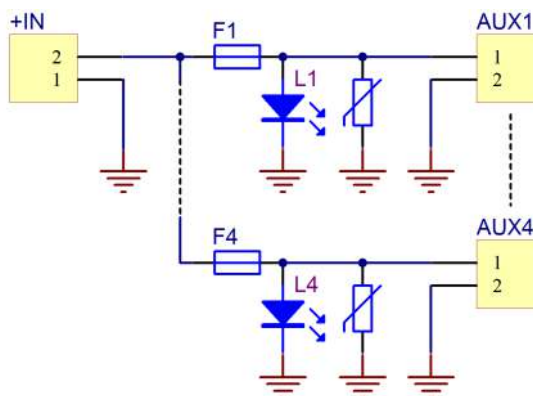
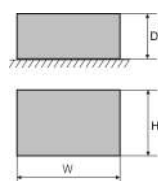


CODE: **AWZ595** v.1.0/II
NAME: **LB4/4x2A/2,5/AW/R/FTA fuse module**

EN**



DESCRIPTION

The LB4/4x2A/2.5/AW/R/FTA fuse module is designed for power distribution in low-voltage systems requiring voltage of **10V±30V DC** or **10V±24V AC** (e.g. buffer power supply, transformer etc.). It is fitted with the IN input for power supply and 4 independent power paths protected with 2A fuses. Output state is indicated by 4 L1 ÷ L4 LEDs. Fuse failure is indicated by turning off the appropriate LED: L1 for AUX1, L2 for AUX2 etc. Additionally, in the case of failure, the FPS output (Hi-Z state) and the L_{FPS} LED are switched on, while the relay contacts are switched. The FPS output can be used for remote control of a module e.g. external optical indication. The module is adapted for connection of cables with a maximum cross section of **2,5mm²**.

SPECIFICATIONS

Supply voltage	10V±30 V DC (-2%/+2%) 10V±24 V AC (-2%/+2%)
Output voltage	U _{AUX} = U _{IN} (equal to supply voltage)
Current consumption	15mA÷ 42mA @ U _{in} =10 ÷ 30V DC 37mA÷ 42mA @ U _{in} =10 ÷ 24V AC
Number of power inputs	1 (IN terminals) - max. 2,5mm² cable
Number of power outputs	4 (AUX terminals) - max. 2,5mm² cable
Protections against:	
- a short circuit SCP	- 4 x 2A
- an overload OLP	- 4 x 2A
- a surge	- varistors
LED indication	- green LED L1 ÷ L4 – status of the AUX1÷AUX4 outputs - red LED L_{FPS} – indicates failure
F1 ÷ F4 fuses	F 2A
Operating conditions	II environmental class, -10°C ÷ 50°C
Dimensions	120 x 43 x 26 (WxHxD) [mm]
Installation	A mounting panel with an adhesive tape, mounting screws x 2 (holes 3mm)
Connectors:	
- power supply input/output	∅0,51±2,05 (AWG 24-12), 0,5 ÷ 2,5mm ²
Net/gross weight	0,07kg / 0,12kg
Declarations, warranty	CE, RoHS, 2 year from the production date

