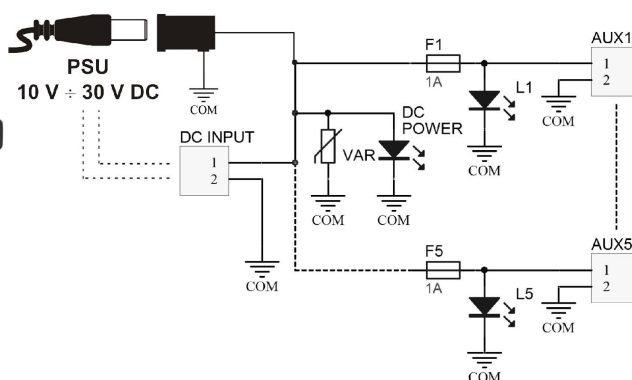
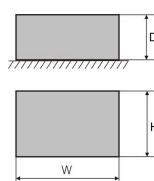


CODE: **AWZ593 v.1.0/I**
 NAME: **LBC5/5x1A/FTA fuse module with housing**

EN**



DESCRIPTION

The LBC5 fuse module is designed for power distribution in CCTV systems requiring the voltage in the range 10V ÷ 30V DC. It is equipped with two power inputs: screw connection and DC jack 5.5/2.1 and five AUX1 ÷ AUX5 power outputs independently protected with 1A melting fuses. PTC fuse activation is indicated by switching off the corresponding LED of the module: L1 for AUX1, L2 for AUX2 etc. Additionally, the module's input is protected by a varistor, protecting the power supply against surges in the power supply system.

SPECIFICATIONS

Supply voltage	10 V ÷ 30 V DC
Current consumption	5 mA ÷ 50 mA @ U _{IN} = 10 V ÷ 30 V DC
Number of power inputs	2: DC jack 5,5/2,1 or screw connection
Number of power outputs	5 (AUX terminals)
Protection types: - short-circuit protection SCP - overload protection OLP - surge protection	- 5 x 1A - 5 x 1A - varistor
Optical indication	Red LED – DC supply voltage indicator Green L1 ÷ L5 LEDs –AUX1 ÷ AUX5 outputs status
Operation conditions	2nd environmental class, -10°C +40°C
Dimensions	126 x 78+16 x 42 (WxHxD) [mm] (+/-2)
Mounting	Mounting screws x2 (Ø4mm holes)
Connectors: - supply outputs - supply inputs	- screw connections Ø0,51÷2,05 (AWG 24-12) - DC jack 5,5/2,1 - screw connection Ø0,51÷2,05 (AWG 24-12)
Net/gross weight	0,16kg / 0,23kg
Declarations, warranty	CE, RoHS, 2 year from the production date