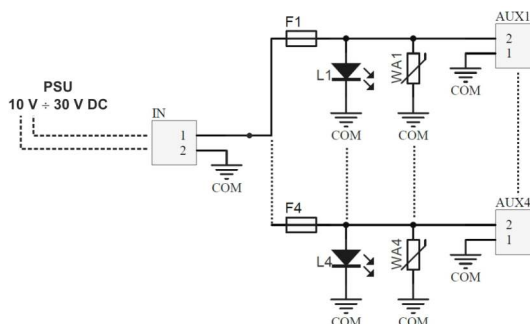
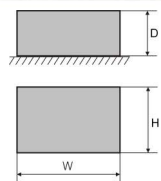


CODE: **AWZ589** v.1.0/1
NAME: **Fuse module LB4/4x2A/FTA**

EN



DESCRIPTION

The fuse module is designed for power distribution in low-voltage alarm systems (power distribution) requiring a voltage range of: **10V ±30V DC**. It is fitted with a single power supply input: screw connection and four AUX1 ÷ AUX4 power supply outputs independently protected with 2A fuses. Fuse activation is indicated by turning off the corresponding LED on the module: L1 for AUX1, L2 for AUX2, etc. Additionally, each output is protected by a varistor, protecting the power supply and receivers against surges in the power supply system.

SPECIFICATIONS

Supply voltage	10V±30 V DC (-2%/+2%)
Output voltage	$U_{AUX} = U_{IN}$ (equal to supply voltage)
Current consumption	5mA+ 30mA @ $U_{in}=10 \div 30$ V DC
Number of power inputs	1 (a screw connector)
Number of power outputs	4 (AUX terminals)
Protections against:	
- a short circuit SCP	- 4 x F 0,5A
- an overload OLP	- 4 x F 0,5A
- a surge	- varistors
LED indication	- green LED L1 ÷ L4 – status of the AUX1+AUX4 outputs
F1 ÷ F4 fuses	4 x F2A
Operating conditions	II environmental class, -10°C ÷ 50°C
Dimensions	80 x 43 x 27 (WxHxD) [mm]
Installation	a mounting panel with an adhesive tape, mounting screws x2 (holes 3mm)
Connectors:	
- of power output	- screw connectors $\Phi 0,8 \div 1,8$ (AWG 24-12)
- of power input	- a screw connector $\Phi 0,8 \div 1,8$ (AWG 24-12)
Net/gross weight	0,05kg / 0,07kg
Declarations, warranty	CE, RoHS, 2 year from the production date