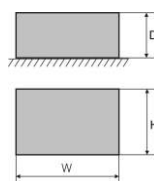
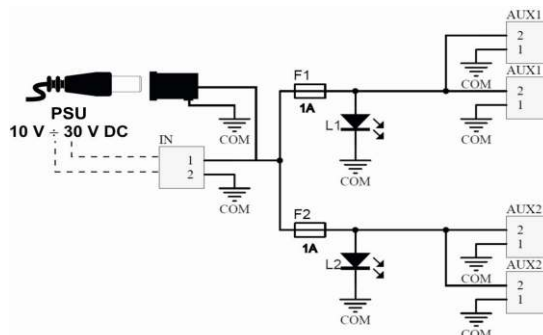


CODE: **AWZ586 v.1.1/III**
NAME: **LB2/1A/FTA fuse module**

EN



DESCRIPTION

The fuse module is intended for dividing power in low-voltage alarm systems (power distribution) that require voltage within the range of: **10 V ± 30 V DC**. It contains two power inputs: a screw connector and a DC 5,5/2,1 outlet and two power outputs AUX1÷AUX2 which are independently secured with FTA 1A polyswitches. An activation of the FTA fuse is indicated by an appropriate LED going out: L1 for AUX1, L2 for AUX2. Additionally, each output is secured by a varistor which protects the PSU and the receivers against surges in the power circuit.

SPECIFICATIONS

Supply voltage	10 V± 30 V DC
Output voltage	$U_{AUX} = U_{IN}$ (equal to supply voltage)
Current consumption	5 mA± 30 mA @ $U_{IN} = 10 V \pm 30 V DC$
Number of power inputs	2: a DC 5,5/2,1 outlet or a screw connector
Number of power outputs	2x 2 (AUX terminals)
Protections against:	
- a short circuit SCP	- 2 x 1A
- an overload OLP	- 2 x 1A
- a surge	- varistors
LED indication	Green LEDs L1, L2 – AUX1÷AUX2 outputs status
F1, F2 fuses	2 x 1A FTA
Operating conditions	II environmental class, -10°C +50°C
Dimensions	60 x 43 x 23 (WxHxD)
Fixing	a mounting tape with an adhesive tape or dowel pins x2 (holes∅3mm)
Connectors:	
- of power output	- screw connectors $\Phi 0,41 \pm 1,63$ (AWG 26-14)
- of power input	- a DC 5,5/2,1 outlet or a screw connector $\Phi 0,41 \pm 1,63$ (AWG 26-14)
Net/gross weight	0,03kg / 0,05kg
Declarations, warranty	CE, RoHS, 2 year from the production date