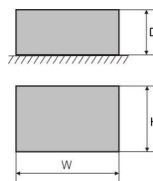
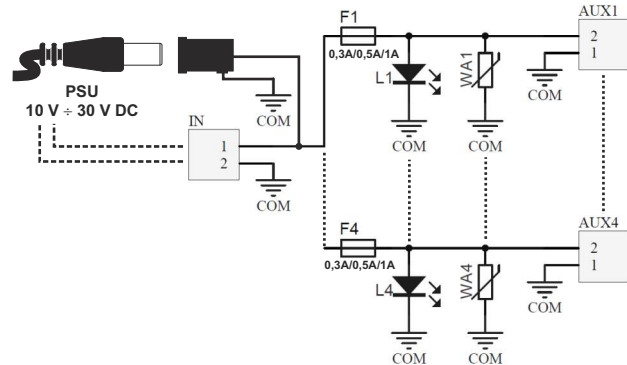
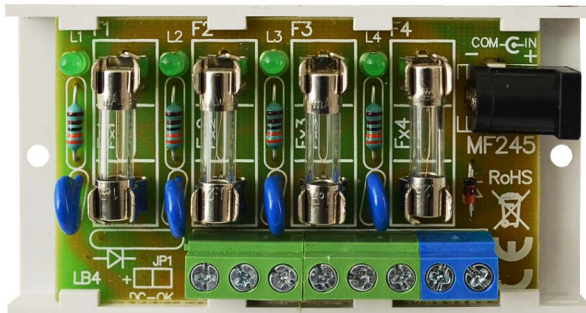


CODE: **AWZ576 v.1.0/IV**
NAME: **LB4A/0,3-1A/FTA fuse module**

EN



DESCRIPTION

The fuse module is intended for dividing power in low-voltage alarm systems (power distribution) that require voltage within the range of: 10V ± 30V DC. It contains two power inputs: a screw connector and a DC 5,5/2,1 outlet and four power outputs AUX1÷AUX4 which are independently secured with 0,5A (the possibility of using 0,3A or 1A fuses, not supplied) glass fuses. An activation of the PTC fuse is indicated by an appropriate LED going out: L1 for AUX1, L2 for AUX2 etc. Additionally, each output is secured by a varistor which protects the PSU and the receivers against surges in the power circuit.

SPECIFICATIONS

Supply voltage	10V± 30V DC
Output voltage	$U_{AUX} = U_{IN}$ (equal to supply voltage)
Current consumption	5 mA± 30 mA @ $U_{IN} = 10V \pm 30V$ DC
Number of power inputs	2: a DC 5,5/2,1 outlet or a screw connector
Number of power outputs	4 (AUX terminals)
Protections against:	
- a short circuit SCP	- 4 x F 0,5A
- an overload OLP	- 4 x F 0,5A (the possibility of using 0,3A or 1A fuses, not supplied)
- a surge	- varistors
LED indication	Green LEDs L1 ÷ L4 –AUX1÷AUX4 outputs status
F1 ÷ F4 fuses	4 x 0,5A
Operating conditions	II environmental class, -10°C +50°C
Dimensions	80 x 43 x 21 (WxHxD)
Fixing	a mounting tape or dowel pins x 2 (holesØ3mm)
Connectors:	
- of power output	- screw connectors $\Phi 0,41 \pm 1,63$ (AWG 26-14)
- of power input	- a DC 5,5/2,1 outlet or a screw connector $\Phi 0,41 \pm 1,63$ (AWG 26-14)
Net/gross weight	0,05kg / 0,07kg
Declarations, warranty	CE, 2 year from the production date