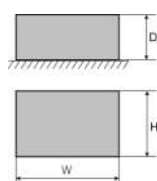
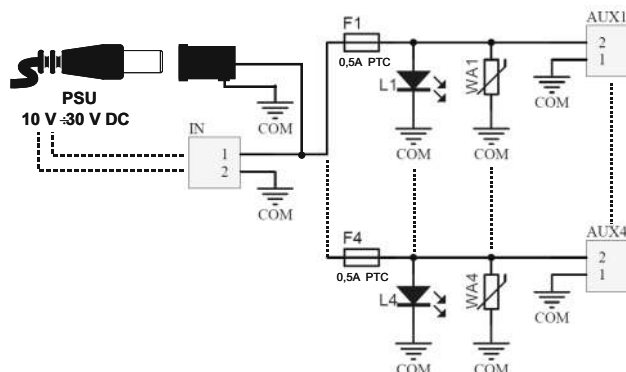
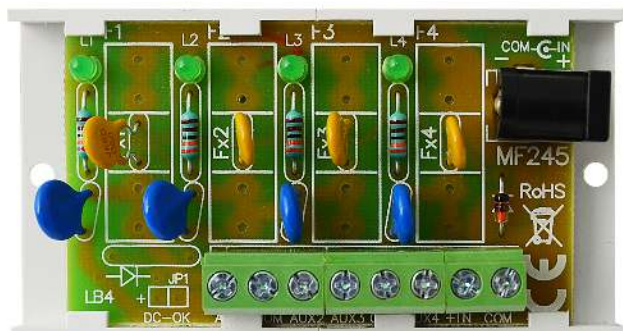


CODE: **AWZ574** v.1.0/IV
NAME: **LB4A/0,5A/PTC fuse module**

EN



DESCRIPTION

The fuse module is intended for dividing power in low-voltage alarm systems (power distribution) that require voltage within the range of: 10V ± 30V DC. It contains two power inputs: a screw connector and a DC 5,5/2,1 outlet and four power outputs AUX1+AUX4 which are independently secured with PTC0,5A polymer fuse. An activation of the PTC fuse is indicated by an appropriate LED going out: L1 for AUX1, L2 for AUX2 etc. Additionally, each output is secured by a varistor which protects the PSU and the receivers against surges in the power circuit.

SPECIFICATIONS

Supply voltage	10V ± 30V DC
Output voltage	$U_{AUX} = U_{IN}$ (equal to supply voltage)
Current consumption	5 mA ± 30 mA @ $U_{IN} = 10V \pm 30V$ DC
Number of power inputs	2: a DC 5,5/2,1 outlet or a screw connector
Number of power outputs	4 (AUX terminals)
Protections against:	
- a short circuit SCP *	- 4 x 0,5A PTC
- an overload OLP	- 4 x 0,5A PTC
- a surge	- varistors
LED indication	Green LEDs L1 ÷ L4 – AUX1 ÷ AUX4 outputs status
F1 ÷ F4 fuses	4 x 0,5A PTC
Operating conditions	II environmental class, -10°C ÷ +50°C
Dimensions	80 x 43 x 21 (WxHxD)
Fixing	a mounting tape or dowel pins x2 (holes Ø3mm)
Connectors:	
- of power output	- screw connectors $\Phi 0,41 \pm 1,63$ (AWG 26-14)
- of power input	- a DC 5,5/2,1 outlet or a screw connector $\Phi 0,41 \pm 1,63$ (AWG 26-14)
Net/gross weight	0,037kg / 0,054kg
Declarations, warranty	CE, RoHS, 2 year from the production date

* Using power supply unit with too low current efficiency may cause (in the case of a short-circuit at one of the outputs of the module) temporary power loss at other outputs.