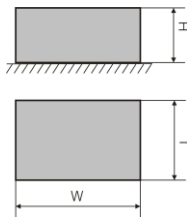
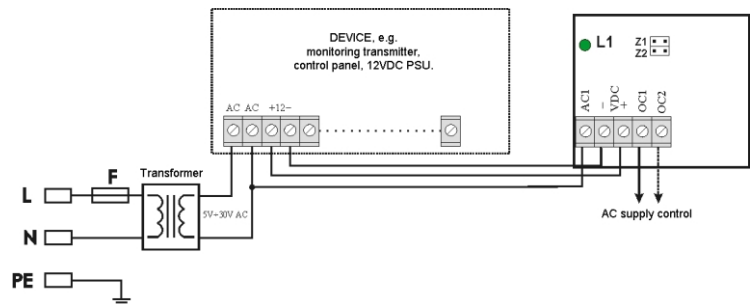
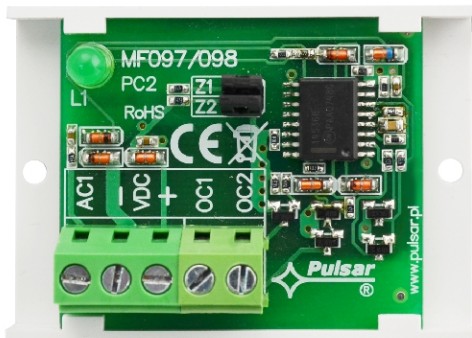


CODE: **AWZ 518** v.1.1 /III
NAME: **PC2 Timing relay module**

EN**



DESCRIPTION

The PC2 timing relay module is intended for AC power status control in object alarm systems (monitoring transmitters, alarm control panels, DC power supply units, etc.). The module informs about AC power loss with a preset delay time T and its return. PC2 has two OC outputs (OC1, OC2) and an LED (L1) indicating the device's status. Delay time indicating AC power loss is adjustable via two jumpers – Z1, Z2.

SPECIFICATIONS

Supply voltage	10V ÷ 15V DC
Current consumption	5 mA
T delay adjustment range	4s/1min/16min/4h 15min (+/-10%)
AC1 input	0V ÷ 30V AC Inactive input: 0V ÷ 1V AC Active input: 5V ÷ 30V AC GND = 'VDC-' power terminal
Technical outputs: - OC1 output - OC2 output	OC type 50mA max. <ul style="list-style-type: none"> normal state: L (0V, GND), active state: hi-Z (high impedance) normal state: hi-Z (high impedance) active state: L (0V, GND)
LED indication	L1 green LED
Operating conditions	II environmental class -10°C ÷ 50°C
PCB dimensions	46 x 40 x 20 (WxHxD) (60 x 43 x 23 dimensions of the panel)
Installation:	A mounting panel with an adhesive tape, mounting screws x2 (holes 3mm)
Connectors	Φ0,41÷1,63 (AWG 26-14)
Net/gross weight	0,03kg /0,05 kg
Declarations, warranty	CE, RoHS, 2 year from the production date