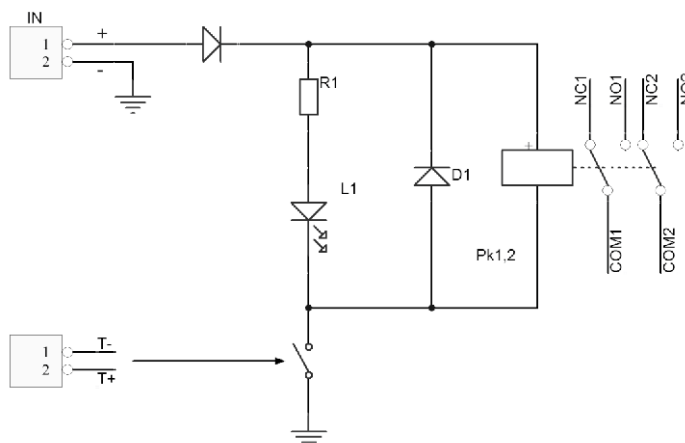
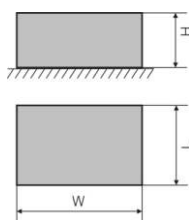
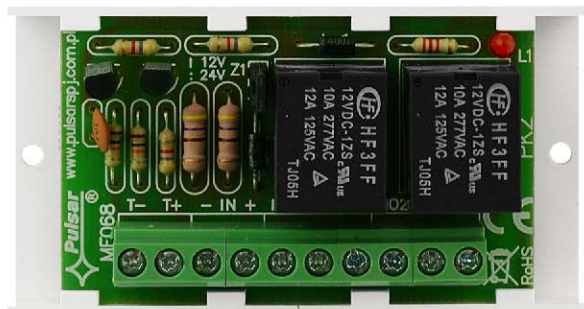


CODE: **AWZ 508** v1.0/III
NAME: **PK2 Relay module**

EN



DESCRIPTION

The PK2 (AWZ508) relay module is to be used in low-voltage installations. It is intended for controlling and status indication in e.g. alarm or access control systems. It may be used to control devices of high power consumption via OC outputs of alarm systems. Moreover, it ensures galvanic isolation of signals, power sources relating to the outputs of the module. It is equipped with two separate T+, T- inputs used to trip relays with high or low condition.

SPECIFICATIONS

| | |
|--|---|
| Voltage of the relay's coil | 12V (10VDC÷15VDC) 24V (21VDC÷28VDC) configuration with jumper Z1 |
| Power consumption | 75 mA max. |
| Number of relays | 2 |
| Voltage of the relay's contacts | 30VDC / 50VAC max. |
| Tripping voltage | T+ 5V÷Unom. T- 0V÷7V |
| Current of the relay's contacts | 2A max. |
| Operating conditions | II environmental class, -10°C ÷ 50°C |
| Dimensions | 80 x 22 x 43 (WxHxD) |
| Net/gross weight | 0,05 / 0,07 [kg] |
| Installation: | installation tape or installation bolt x2 |
| Declarations, warranty | CE, 2 year from the production date |
| Notes | leads on connections: Ø 0,41±1,63 (AWG 26-14), |