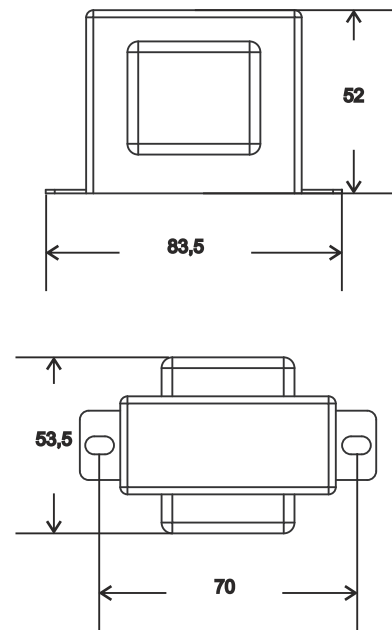
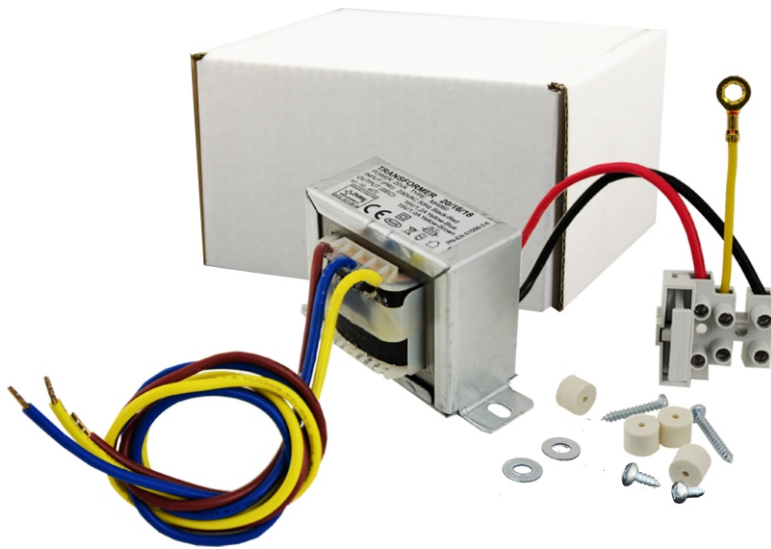


CODE: **AWT060** v.1.0/II
 NAME: **Transformer EI 20VA/16V/18V**



DESCRIPTION

Transformers are intended for supplying devices requiring AC power supply insulated from 230V AC mains. Transformers have build-in thermal protection in case of overload.

TECHNICAL SPECIFICATION

MH060 – transformer EI20VA/16V/18V

Input voltage	230V AC / 50Hz
Power	20VA
Outputs	16V / 1,2A or 18V / 1,0A
Protection	fuse T200mA in lead circuit
Thermal protection	fuse 130°C - non resettable (fuse in transformers winding)
Dimensions	W 83,5mm, H 52mm, D 53,5mm, A=70mm
Weight net/gross	0,58kg / 0,62kg [+/-0,1kg]
Wires length:	
Primary winding	120mm ±10mm
Secondary winding	400mm ±10mm
The equipment	kit for mounting in housing
Certificates, declarations:	CE, RoHS, 2 year from the production date
Operating conditions	2nd environmental class, -10°C+ 40°C, Ta 40 B

